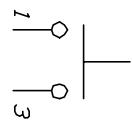
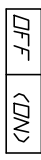


RECOMMENDED P.C.B. LAYOUT

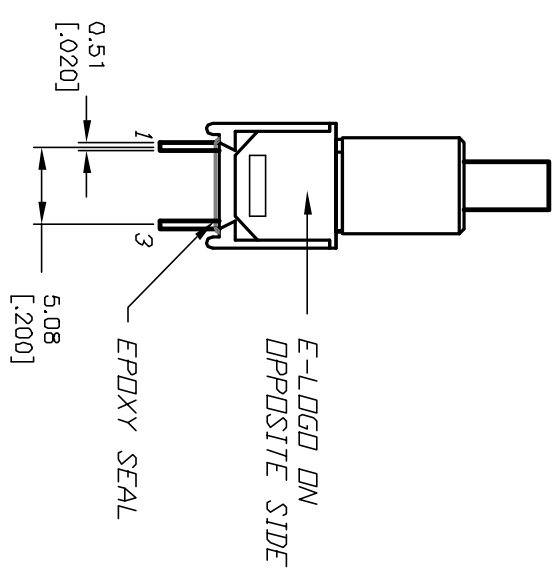
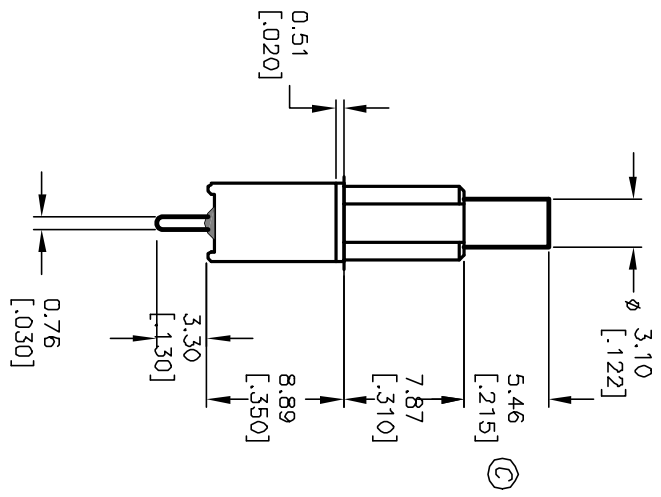
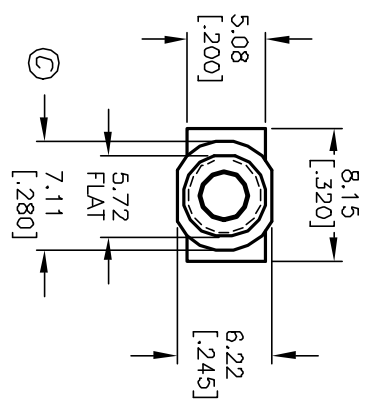


CONTACT CONFIGURATION



NOTES: $\langle \rangle$ =Momentary

1. ALL DIMENSIONS IN MM [INCH]
2. GENERAL TOLERANCE: X.X=±0.4
X.XX=±0.25
3. TERM. NOS. FOR REF. ONLY
4. RATING: 3A @120V or 28VDC;
1A @250VAC
5. FIXED TERM. & MOVING CONTACT:
Copper Alloy w/SILVER plate.
6. CONTACT RESISTANCE:
20mILLI-ohms initial @2-4VDC.
7. ELECTRICAL LIFE: 60,000 make-and-break
cycles at full load.
8. INSULATION RESISTANCE: 1,000M ohm min.
9. DIELECTRIC STRENGTH: 1000V RMS @sea level
10. OPERATING TEMP.: -30°C to 85°C



REV.	ECN No.	DESCRIPTION	DATE	CHKD
C	12496	REVISED AND REDRAWN	10/17/02	CJB
THE INFORMATION CONTAINED IN THIS DOCUMENT IS PROPRIETARY TO E-SWITCH AND IS NOT TO BE COPIED OR TRANSFERRED				

TITLE	SCALE	DATE	DR	DWG	REV
800 SP-9 B8 M2 Q E	2:1	3/5/97	MM	T811030	C

E-SWITCH®