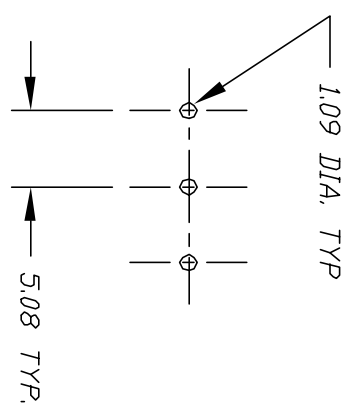
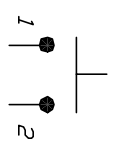
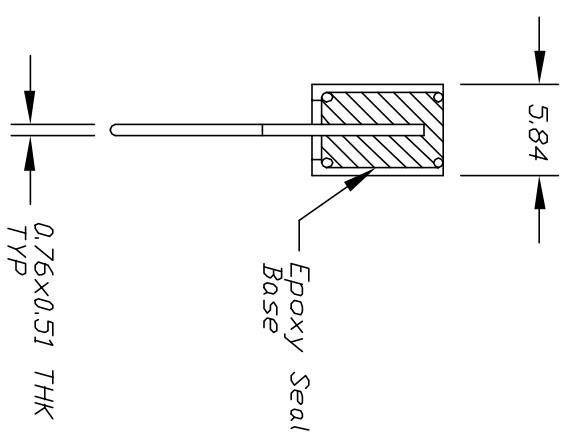
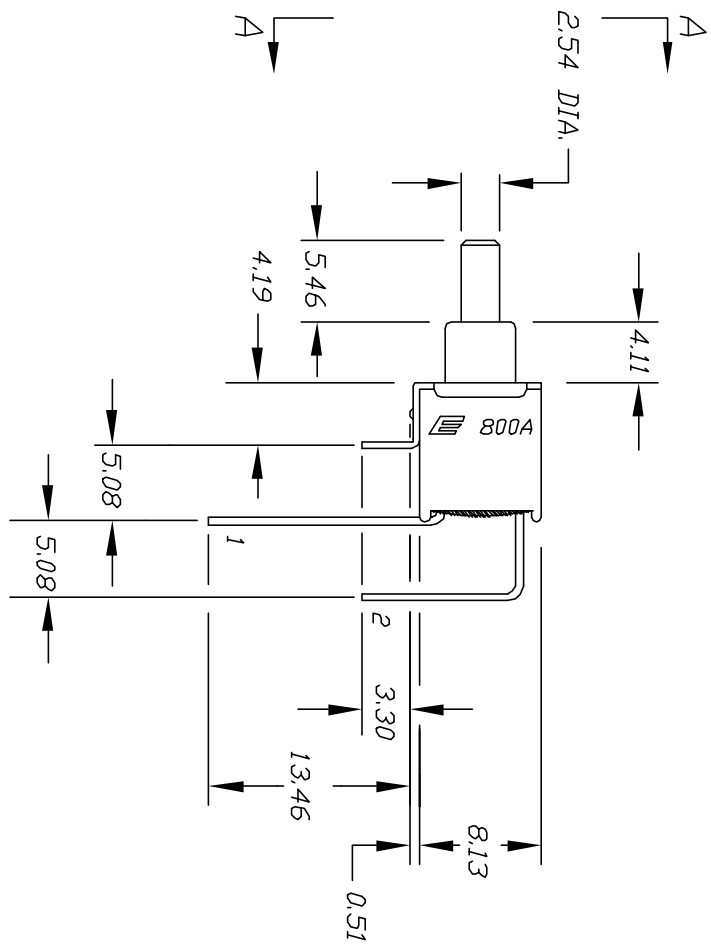


VIEW A-A



RECOMMEND P.C.B. LAYOUT



CIRCUIT: SPST

CONTACT CONFIGURATION

OFF ON

()=Momentary

NOTES:

1. ALL DIMENSIONS IN MM
2. TERM. NOS. FOR REF ONLY
3. RATING: 1A @120VAC or 28VDC.

A		RELEASED & REDRAWN	DATE	CHKD	TOLERANCES		TITLE	SCALE	DATE	DR	DWG	REV
REV.		DESCRIPTION			0.0	±0.4	800A WSP-9 M7 Q E	2:1	6/3/97	MM	T833014	A
THE INFORMATION CONTAINED IN THIS DOCUMENT IS PROPRIETARY TO E-SWITCH AND IS NOT TO BE COPIED OR TRANSMITTED												

