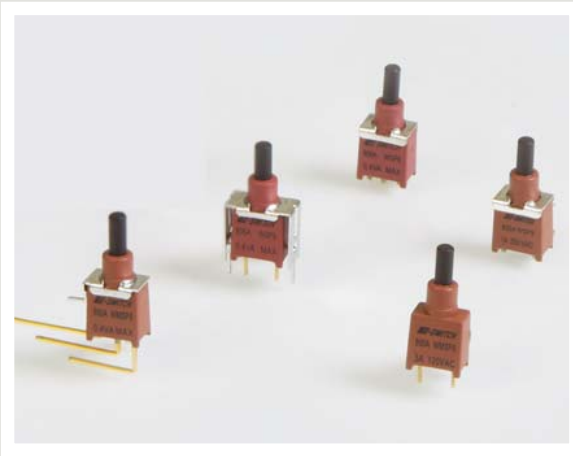




SERIES 800A SWITCHES

PUSHBUTTON SWITCHES - SEALED SUB-MINIATURE



SPECIFICATIONS

Contact Rating:	1A @ 120 VAC
Life Expectancy:	50,000 cycles typical
Contact Resistance:	10mΩ max. typical @ 2-4 VDC 100mA for both silver and gold plated contacts
Insulation Resistance:	1,000MΩ min.
Dielectric Strength:	1,000 V rms @ sea level
Actuation Force:	200 ± 50 gf
Operating Temperature:	-30°C to +85°C

MATERIALS

Case:	Diallyl Phthalate (DAP)
Plunger:	Glass filled nylon or glass filled polyester
Bushing:	Diallyl Phthalate (DAP)
Housing:	Stainless steel
Contacts:	Silver or Gold plated copper alloy

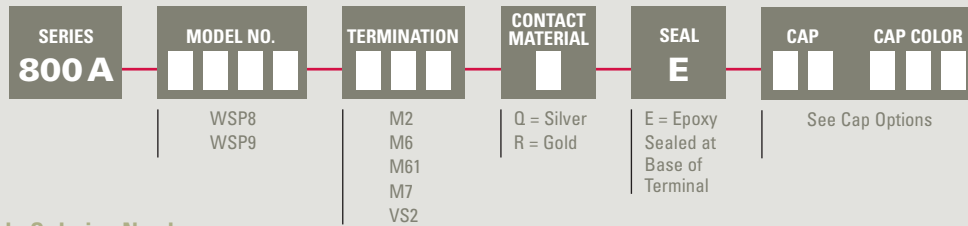
FEATURES & BENEFITS

- ▶ Subminiature design
- ▶ Butt contact design
- ▶ IP-67 sealed option

APPLICATIONS/MARKETS

- ▶ Telecommunications
- ▶ Networking
- ▶ Computers/servers
- ▶ Performance audio
- ▶ Instrumentation
- ▶ Low power on/off designs
- ▶ External hard drives and modems

HOW TO ORDER



Example Ordering Number
800A-WSP9-M7-R-E

Specifications subject to change without notice.

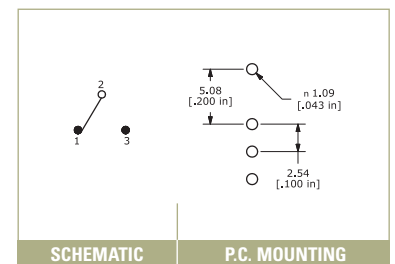
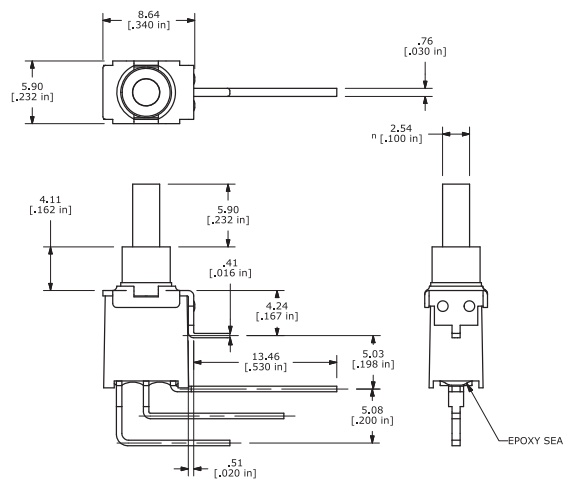
SPDT

WSP8



Model No.	Type	
WSP8	ON	(ON)
WSP9	OFF	(ON)

() = Momentary



TACT SWITCHES

NAVIGATION SWITCHES

PUSHBUTTON SWITCHES

TOGGLE SWITCHES

ROCKER SWITCHES

SLIDE SWITCHES

SNAP-ACTION SWITCHES

DIP SWITCHES

KEYLOCK SWITCHES

ROTARY SWITCHES

DETECTOR SWITCHES

CAP OPTIONS

SERIES 800 A SWITCHES

PUSHBUTTON SWITCHES - SEALED SUB-MINIATURE

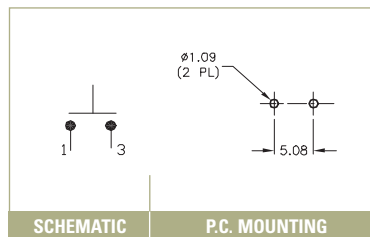
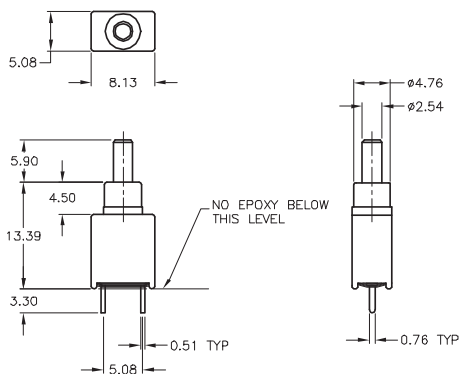
TACT SWITCHES

NAVIGATION SWITCHES

PUSHBUTTON SWITCHES

SPST

WSP9



SCHEMATIC

P.C. MOUNTING

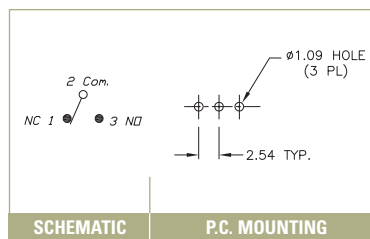
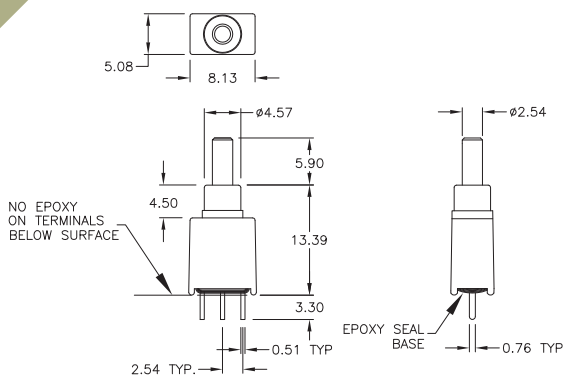
TOGGLE SWITCHES

ROCKER SWITCHES

SLIDE SWITCHES

M2

SPST



SCHEMATIC

P.C. MOUNTING

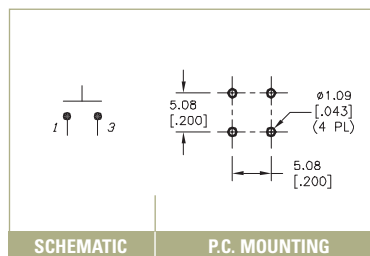
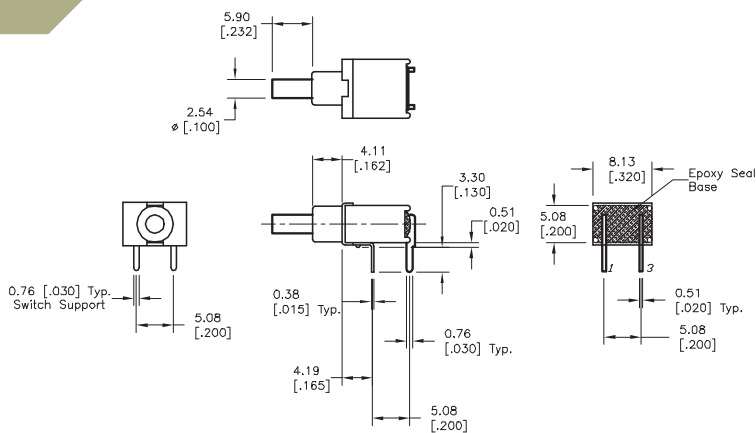
SNAP-ACTION SWITCHES

DIP SWITCHES

KEYLOCK SWITCHES

M6

SPST



SCHEMATIC

P.C. MOUNTING

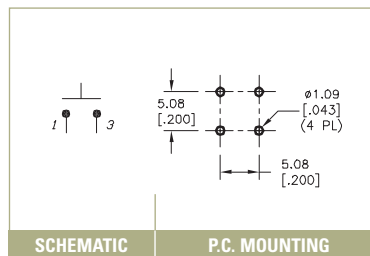
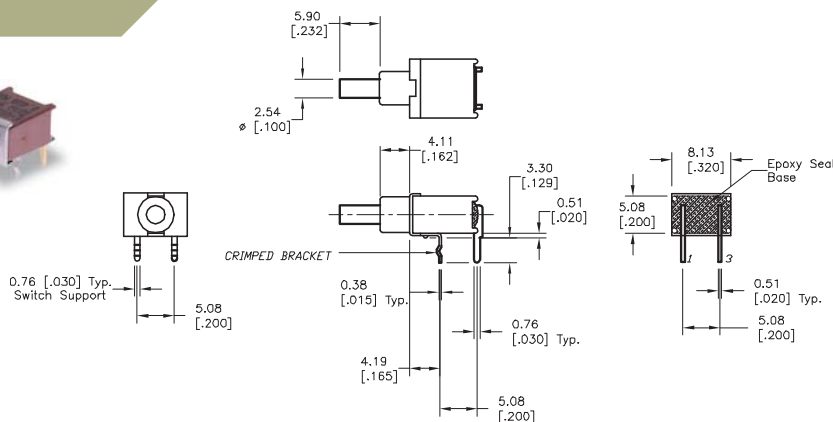
ROTARY SWITCHES

DETECTOR SWITCHES

CAP OPTIONS

M61

SPST



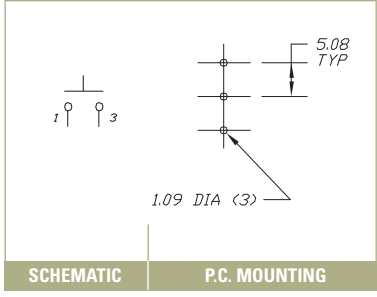
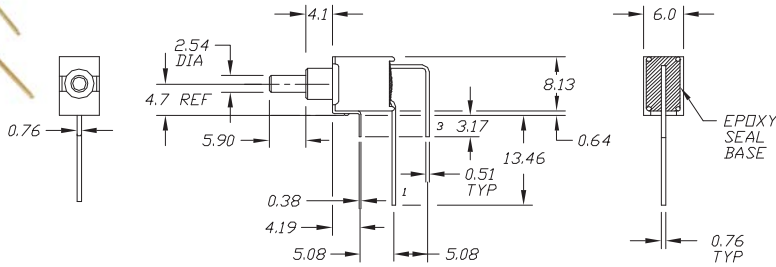
SCHEMATIC

P.C. MOUNTING



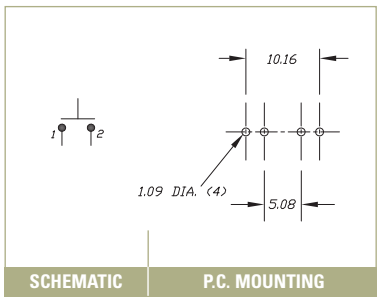
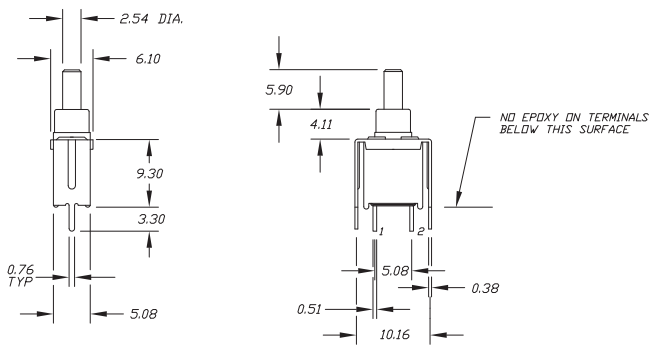
M7

SPST



VS2

SPST



CONTACT MATERIAL OPTIONS

Q	Fixed Terminal: Silver plated copper alloy
	Moving Contact: Silver plated copper alloy
	Rating: 1 AMPS @ 120 VAC or 28 VDC

R	Fixed Terminal: Copper alloy with gold plate over nickel plate
	Moving Contact: Copper alloy with gold plate over nickel plate
	Rating: 0.4 VA max. @ 20 VAC or DC max.

TACT SWITCHES
 NAVIGATION SWITCHES
 PUSHBUTTON SWITCHES
 TOGGLE SWITCHES
 ROCKER SWITCHES
 SLIDE SWITCHES
 SNAP-ACTION SWITCHES
 DIP SWITCHES
 KEYLOCK SWITCHES
 ROTARY SWITCHES
 DETECTOR SWITCHES
 CAP OPTIONS