

# SERIES LP37 SWITCHES



## ILLUMINATED PUSHBUTTON SWITCH



### MECHANICAL SPECIFICATIONS

Mechanical Life:	30,000 cycles
Force:	250 +/- 100 grams
Travel:	Full: 5.1 +/- 0.5mm; Switching: 2.95mm nom; Latching: 3.3mm nom

### ELECTRICAL SPECIFICATIONS

Contact Arrangement:	SPDT
Contact Rating:	20mVDC to 50VDC; 10mA to 250mA
Contact Resistance:	50mΩ (initial max)
Insulation Resistance:	1000MΩ (Min @ 100VDC)
Dielectric Strength:	250VAC

### ENVIRONMENTAL SPECIFICATIONS

Operating Temperature:	-30°C to +85°C
Storage Temperature:	-30°C to +85°C

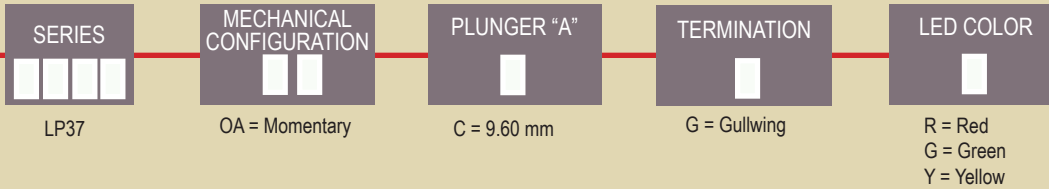
### FEATURES & BENEFITS

Right angle design  
Long travel  
Multiple LED colors

### APPLICATIONS / MARKETS

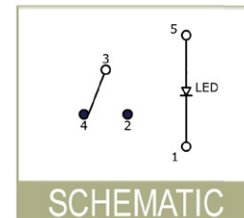
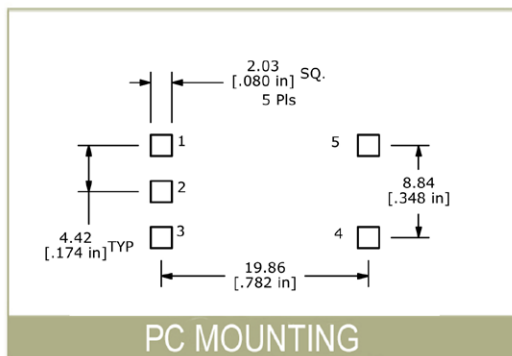
Telecommunications  
Networking  
Low power on/off designs  
Computers/servers  
Performance audio

### HOW TO ORDER:



Parts to be packaged in tape and reel, 450 pieces per reel.

Specifications subject to change without notice.



### LED SPECIFICATIONS

	Units	Yellow	Red	Green
Forward Current	mA	20mA	20mA	20mA
Forward Voltage @ 20mA	VDC	2.1 typ - 2.6 max	2.3 typ - 2.6 max	2.2 typ - 2.6 max
Luminous Intensity @ 20mA	mcd	30 typ	13 typ	50 typ

# SERIES LP37 SWITCHES



E-SWITCH™

LP37 With LED:

