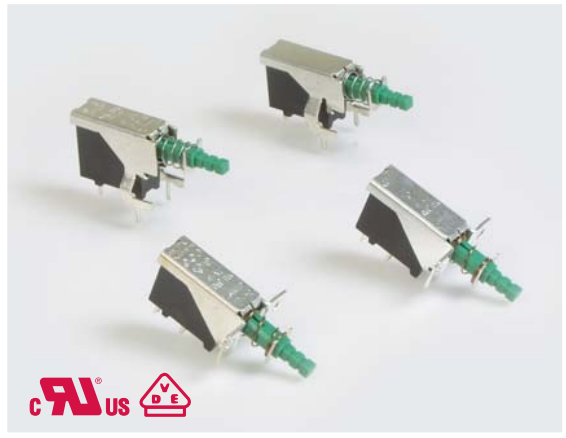




SERIES P197 SWITCHES

POWER PUSHBUTTON SWITCHES



SPECIFICATIONS

Contact Rating: 10A @ 125 VAC - UL, CUL
 5A @ 250 VAC - UL, CUL, VDE
 TV-5 @ 125 VAC - UL, CUL
 In Rush, 80A @ 250 VAC - VDE

Life Expectancy: 10,000 cycles
 Contact Resistance: 100mΩ max. typical; initial @ 2-4 VDC
 Insulation Resistance: 1,000M Ω min.
 Dielectric Strength: > 1,500 volts 1 minute
 > 3,000 volts between poles
 Actuation Force: 300 ±100 gram force
 Operating Temperature: -20°C to +85°C

MATERIALS

Housing: 6/6 Nylon
 Actuator: Acetal
 Bracket: Tin plated steel
 Contacts: Silver plated copper alloy
 Terminals: Silver plated copper alloy

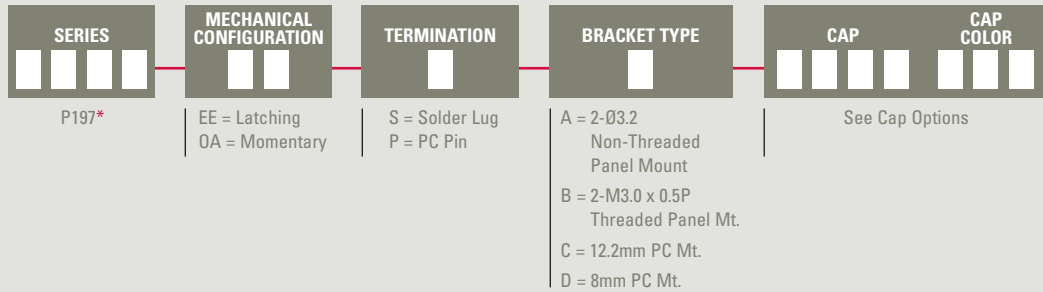
FEATURES & BENEFITS

- ▶ Power pushbutton rated up to 10amps
- ▶ Latching & momentary functions
- ▶ Panel & PC board mount options

APPLICATIONS/MARKETS

- ▶ Telecommunications
- ▶ Networking
- ▶ Computers/servers
- ▶ Performance audio
- ▶ Instrumentation
- ▶ Low power on/off designs
- ▶ External hard drives and modems

HOW TO ORDER

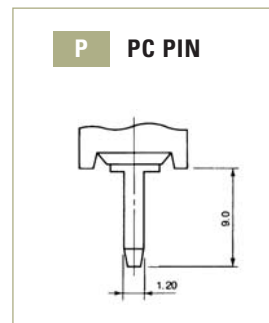
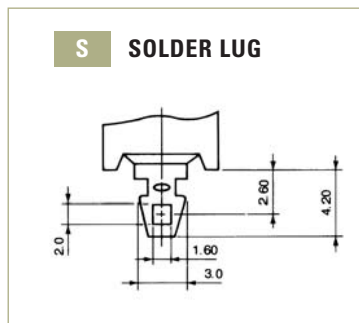


▶ ▶ ▶ **Example Ordering Number**
 P197-EE-P-B-TA12-BLU

*Note: Also available in 2 pole version P297.
 Contact E-Switch for more information.

Specifications subject to change without notice.

TERMINATION OPTIONS



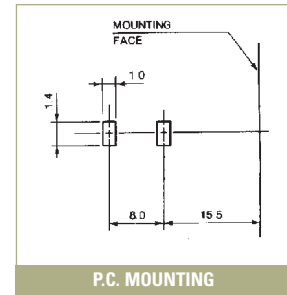
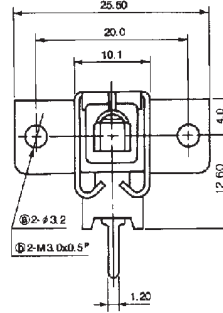
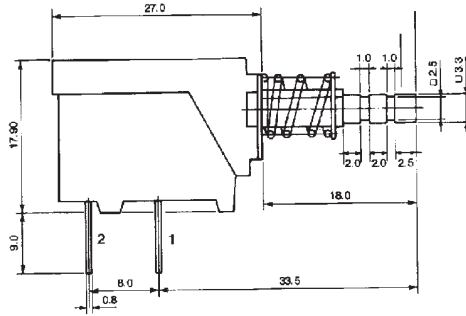
SERIES P197 SWITCHES

POWER PUSHBUTTON SWITCHES

BRACKET OPTIONS

A/B

A = 2 - Ø3.2 (Non-Threaded)
B = 2 - M3.0 x 0.5P (Threaded)

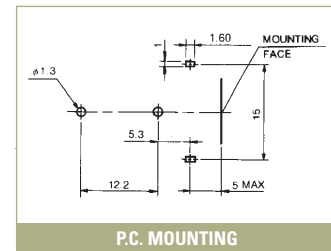
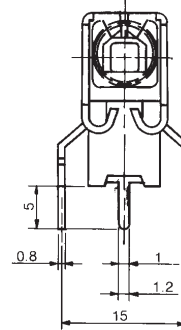
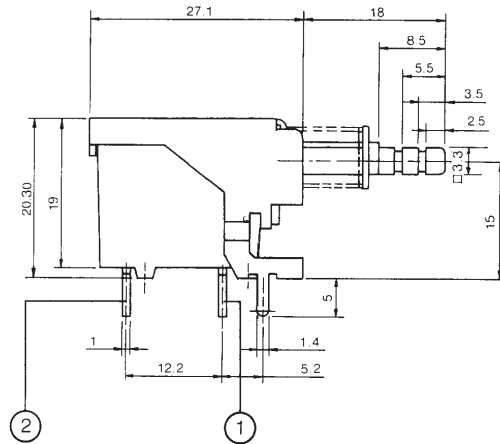


SCHEMATIC

BRACKET OPTIONS

C

C = 12.2 mm P.C. Pin Spacing (measured from terminal 2 to terminal 1)

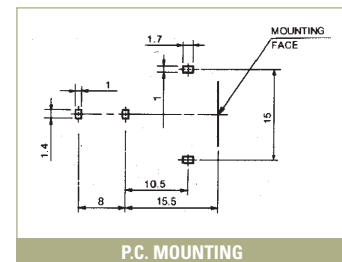
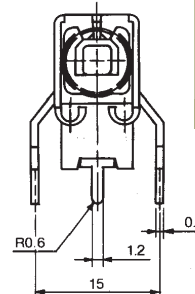
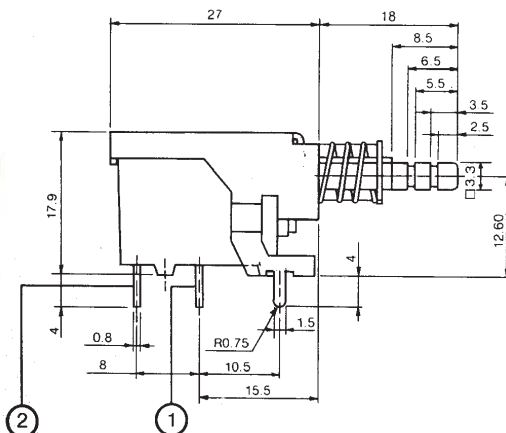
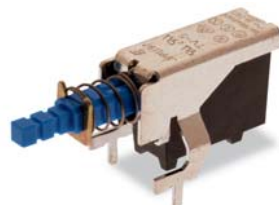


SCHEMATIC

BRACKET OPTIONS

D

D = 8 mm P.C. Pin Spacing (measured from terminal 2 to terminal 1)



SCHEMATIC

TACT SWITCHES

NAVIGATION SWITCHES

PUSHBUTTON SWITCHES

TOGGLE SWITCHES

ROCKER SWITCHES

SLIDE SWITCHES

SNAP-ACTION SWITCHES

DIP SWITCHES

KEYLOCK SWITCHES

ROTARY SWITCHES

DETECTOR SWITCHES

CAP OPTIONS