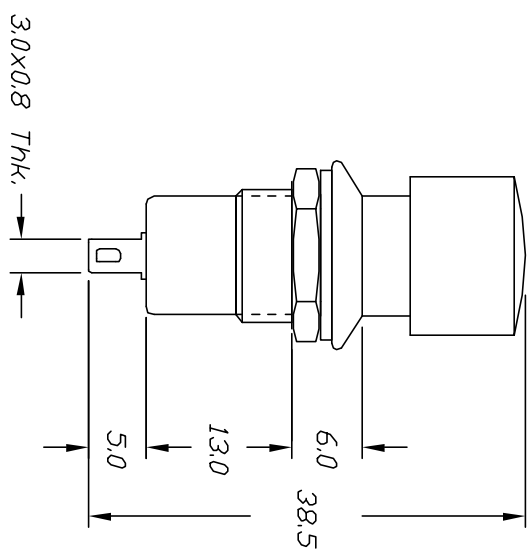
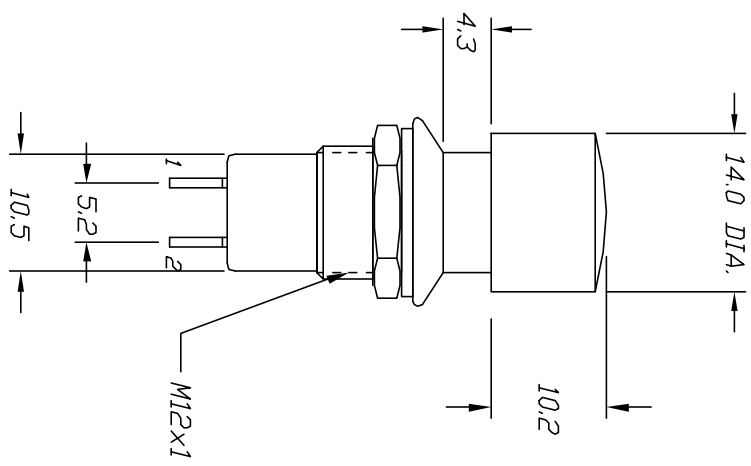
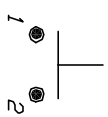


RECOMMEND PANEL LAYOUT



CONTACT CONFIGURATION



CIRCUIT: SPST

DFE (DN)

< >=Momentary

NOTES:

1. ALL DIMENSIONS IN MM
2. TERM. NDS. FOR REF ONLY
3. RATING: 3A 125VAC

A		RELEASED FOR PRODUCTION	DATE	CHKD	TOLERANCES		TITLE	SCALE	DATE	DR	DWG	REV
REV.	A	DESCRIPTION			0.0	±0.4	PS 1040A (RED BUTTON)	1.5:1	3/4/97	MM	F010400	A
THE INFORMATION CONTAINED IN THIS DOCUMENT IS PROPRIETARY TO E-SWITCH AND IS NOT TO BE COPIED OR TRANSMITTED												

