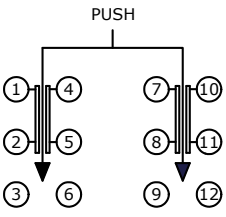
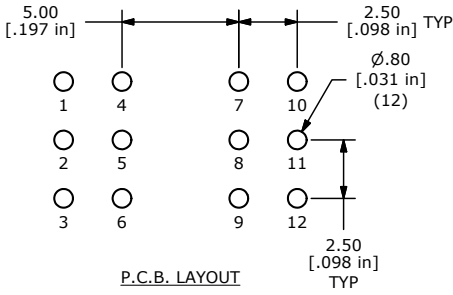
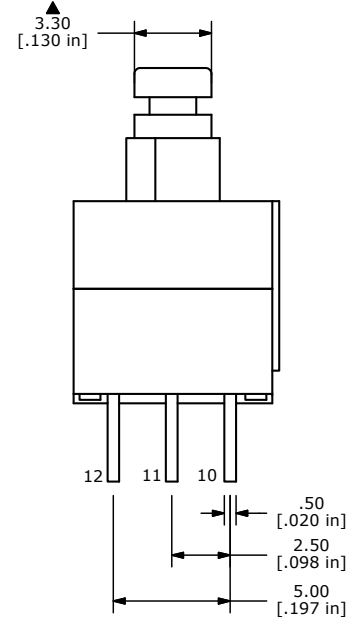
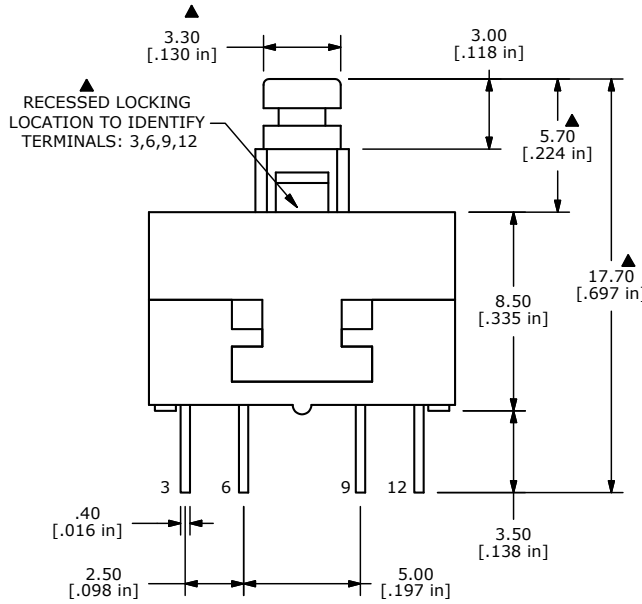
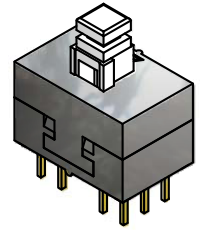
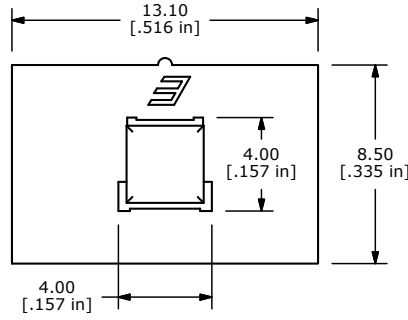


SHEET 1 OF 1



SWITCH FUNCTION	
POS. 1	POS. 2
ON	ON
1-2,4-5 7-8,10-11	2-3,5-6 8-9,11-12

- NOTES:
1. ALL DIMENSIONS IN MM [INCH]
 2. GENERAL TOLERANCE: X.X±0.4
X.XX±0.25
 3. TERMINAL NUMBERS FOR REF. ONLY
 4. RATING: 0.1A @ 30VDC
 5. TRAVEL: FULL = 2.5mm, LOCK = 1.5mm
 6. OPERATING FORCE: 300gf ± 70gf
 7. ELECTRICAL LIFE: 10,000 CYCLES
 8. ▲ DENOTES CRITICAL PARAMETER
 9. CONTACT MATERIAL: SILVER
 10. 2002/95/EC (RoHS) COMPLIANT
 11. INSULATION RESISTANCE: 100 MΩ MIN.
 12. DIELECTRIC STRENGTH: 500 VAC
 13. OPERATING TEMPERATURE: -30°C TO +85°C



TITLE TL4201EEYA

F	19691	DRAWING UPDATE	2/18/11	BGL
REV	PCR NO	DESCRIPTION	DATE	BY

THE INFORMATION CONTAINED IN THIS DOCUMENT IS PROPRIETARY TO E-SWITCH AND IS NOT TO BE COPIED OR TRANSFERRED

SCALE	DATE	DR	DWG	REV
4:1	2/18/2011	BGL	P010552	F