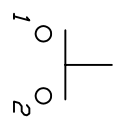
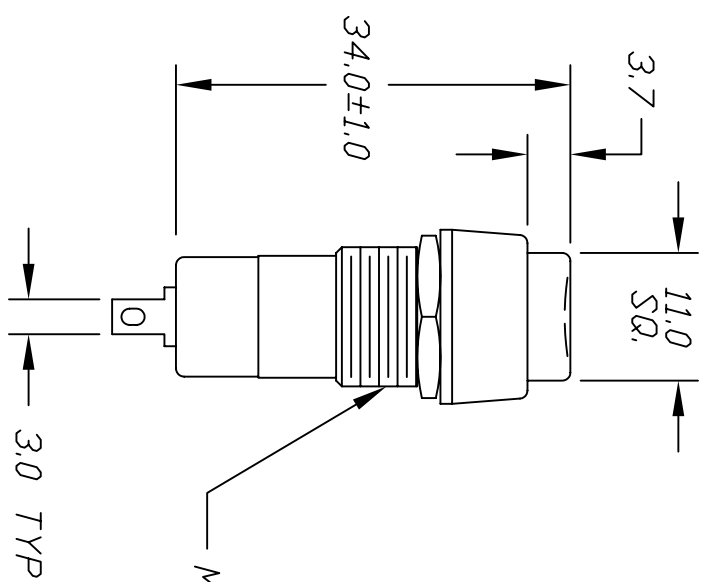
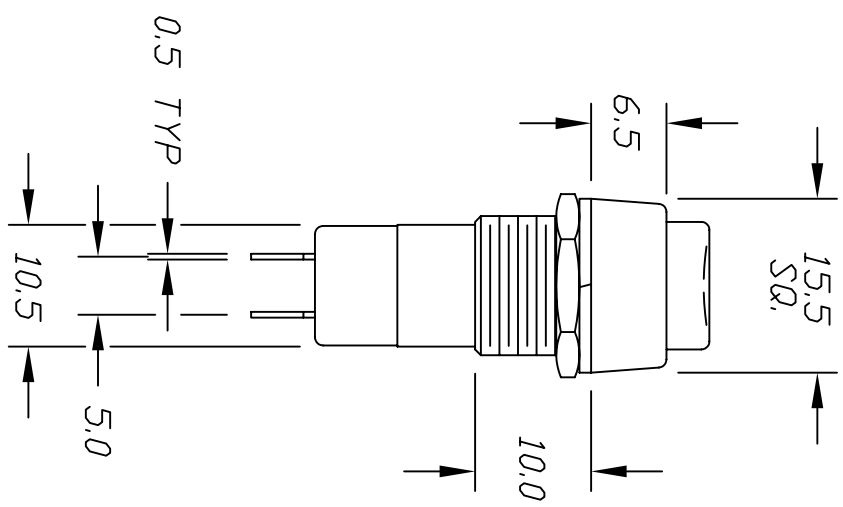


PANEL LAYOUT



CONTACT CONFIGURATION

SPST



( ) = Momentary

NOTES:

1. ALL DIMENSIONS IN MM
2. TERM. NOS. FOR REF. ONLY

RELEASED FOR PRODUCTION

TOLERANCES

0.0	±0.4
0.00	±0.25

REV.	DESCRIPTION	DATE	CHKD	TITLE	SCALE	DATE	DR	DWG	REV
A	RELEASED FOR PRODUCTION			PS 1023 A (RED BUTTON)	1.5:1	8/30/96	MM	F010234	A

THE INFORMATION CONTAINED IN THIS DOCUMENT IS PROPRIETARY TO E-SWITCH AND IS NOT TO BE COPIED OR TRANSFERRED

**E-SWITCH**