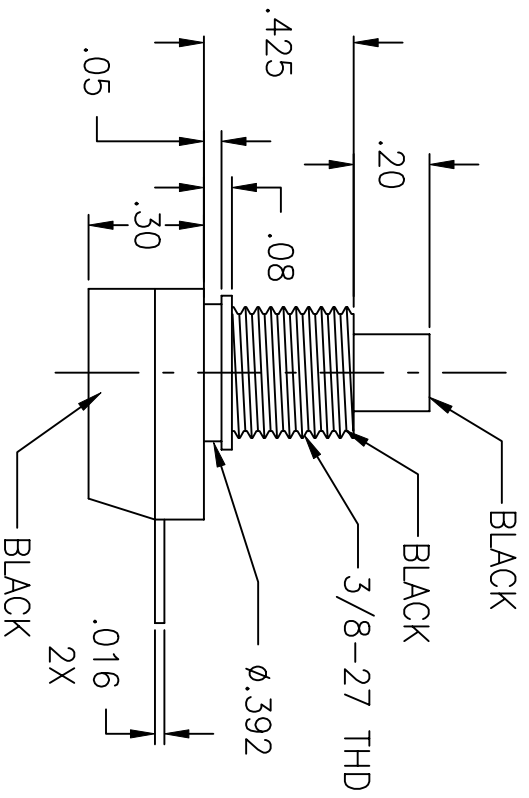
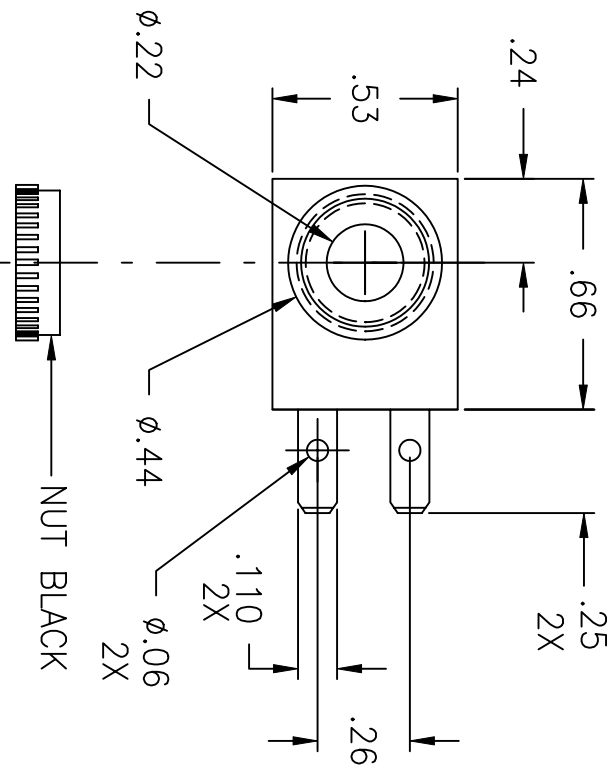


LTR	EN	DESCRIPTION	APPR	BY	DATE
A	-	INITIAL RELEASE	MT	DC	12-27-07




JUDCO INVENTORY NO. 40-4675-00
 SWITCH TYPE: MOMENTARY, NORMALLY CLOSED
 UL ELECTRICAL RATING: 14VDC, 10A
 UL TEMPERATURE RATING: 55°C
 NUT INCLUDED

CUSTOMER: DIGI-KEY
 CUSTOMER PN: TBD

APPROVED BY: _____
 DATE: _____

DIMENSIONS IN INCHES
 DIMENSIONS ARE REFERENCE

DRAWN: DC	12-27-07	TITLE	 HARBOR CITY CALIFORNIA
APPR: KJ	12-27-07	OUTLINE	
ENG: IS	12-27-07	J-188A-1 ULDC W/BENT TRMS	
1415U1271A.DWG		DWG. NO. 1415-1271	
SHEET		1 OF 1	

This document embodies a product, component, and/or design proprietary to JUDCO MANUFACTURING INC., and which is protected either as a trade secret, by U.S. Patent, or by copyright. It may not be used in any way without written express consent of JUDCO MANUFACTURING INC.