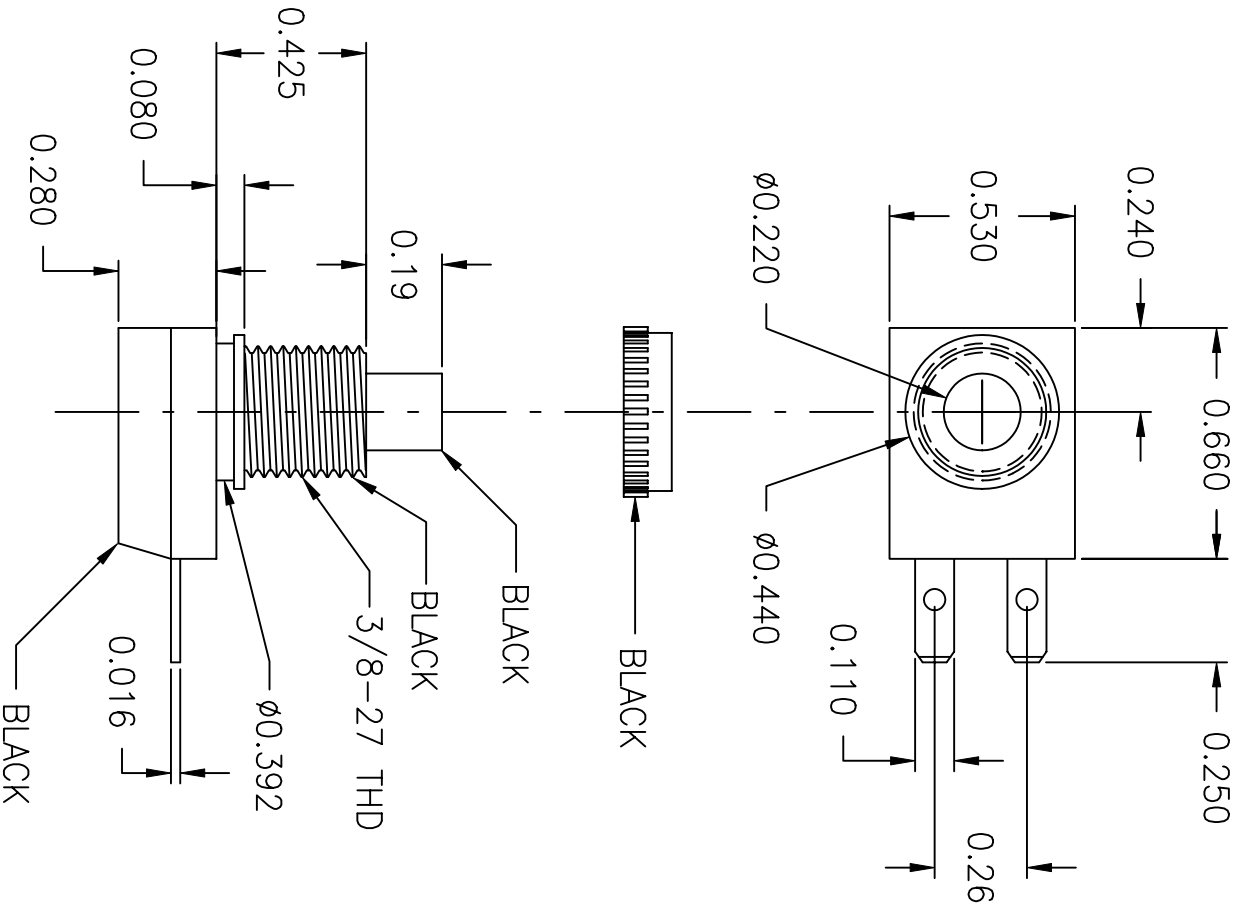


| LTR | EN | DESCRIPTION | APPR | BY | DATE |
|-----|----|-----------------|------|----|---------|
| A | - | INITIAL RELEASE | RB | EM | 2-10-04 |



JUDCO INVENTORY NO. 40-3429-00
 SWITCH TYPE: MOMENTARY, NORMALLY OPEN
 NUTS PACKED SEPARATELY.

CUSTOMER: DIGI KEY
 CUST. PN: 509 PB-ND
 APPROVED BY: _____
 DATE: _____

DIMENSIONS IN INCHES
 DIMENSIONS ARE REFERENCE

| | | |
|-------------------|----------|----------------------------|
| DRAWN: EM | 02-10-04 | HARBOR CITY CALIFORNIA |
| APPR: KJ | 02-10-04 | |
| DWG. NO. 1415-567 | | TITLE OUTLINE |
| 1415US567A.DWG | | J-188A-2 |
| SHEET | | 1 OF 1 |

This document embodies a product, component, and/or design proprietary to JUDCO MANUFACTURING INC., and which is protected either as a trade secret, by U.S. Patent, or by copyright. It may not be used in any way without written express consent of JUDCO MANUFACTURING INC.