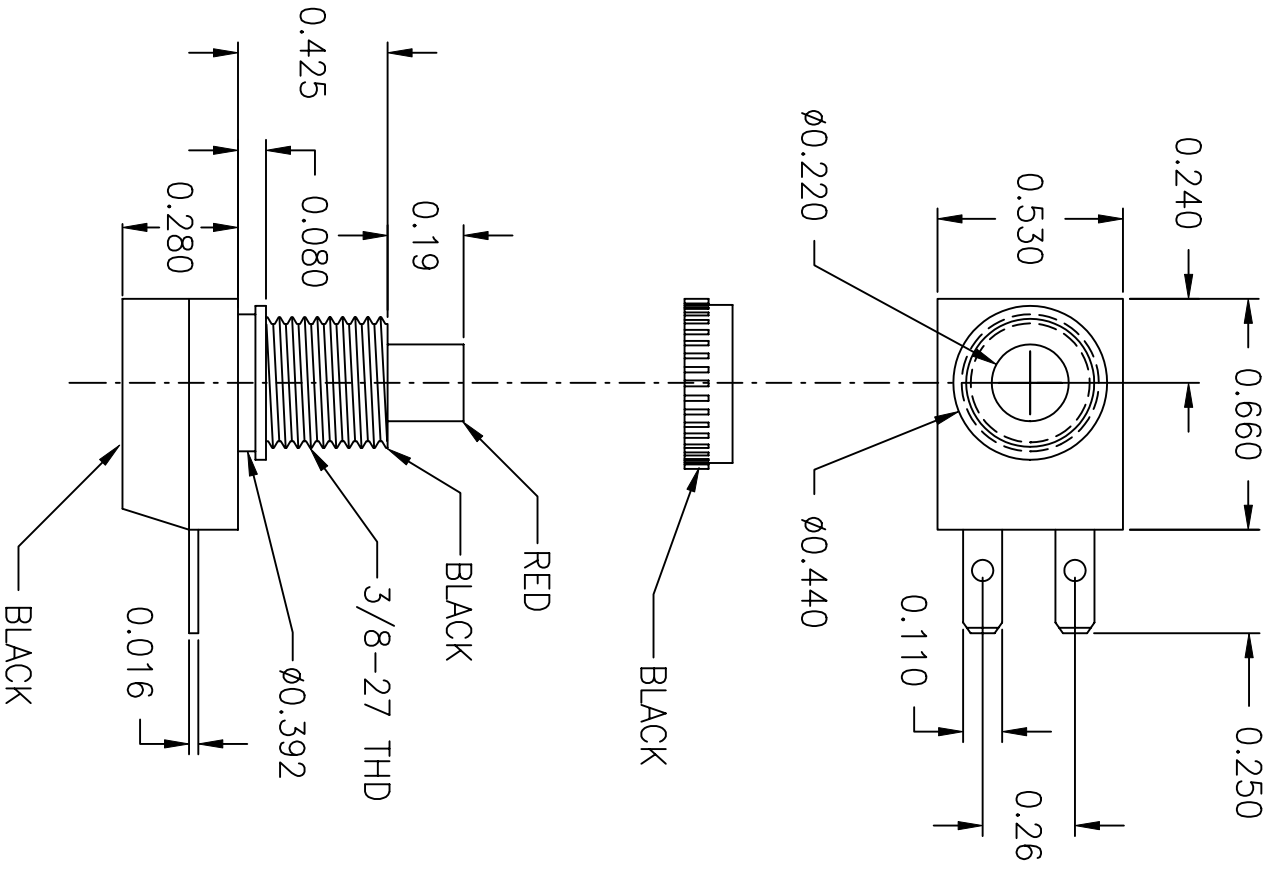


LTR	EN	DESCRIPTION	APPR	BY	DATE
A	-	INITIAL RELEASE	RB	EM	2-03-04



JUDCO INVENTORY NO. 40-1672-02
 SWITCH TYPE: PUSH ON-PUSH OFF, SPDT
 NUTS PACKED SEPARATELY

CUSTOMER: DIGI KEY
 CUST. PN: 501 PB-ND
 APPROVED BY: _____
 DATE: _____

DIMENSIONS IN INCHES DIMENSIONS ARE REFERENCE		
DRAWN: EM	02-03-04	
APPR: KJ	02-03-04	DWG. NO. 1415-559
1415US559A.DWG		TITLE OUTLINE J-188A-1
		SHEET 1 OF 1

This document embodies a product, component, and/or design proprietary to JUDCO MANUFACTURING INC., and which is protected either as a trade secret, by U.S. Patent, or by copyright. It may not be used in any way without written express consent of JUDCO MANUFACTURING INC.