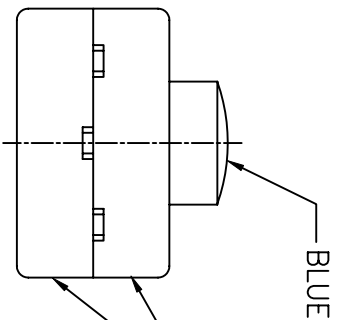
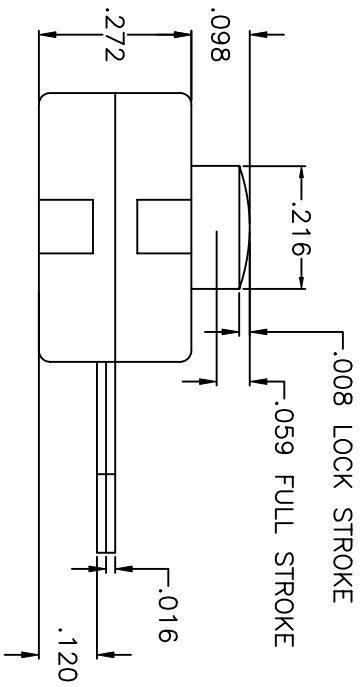
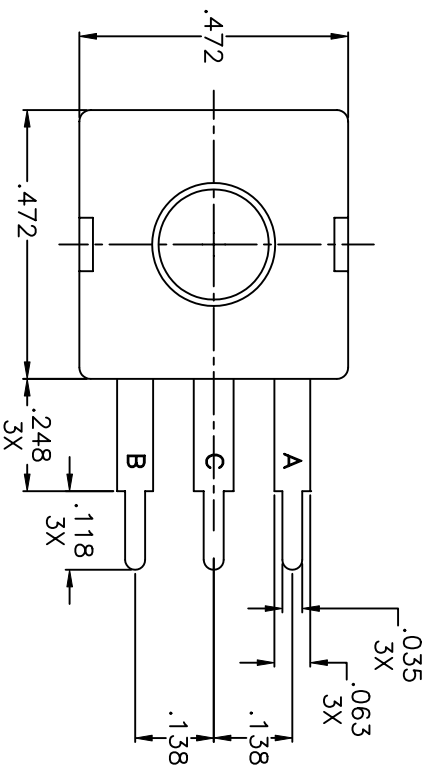
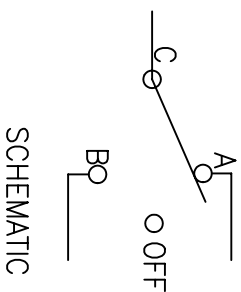
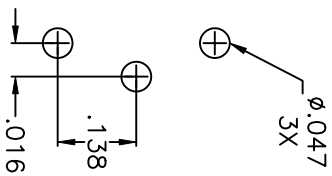


LTR	EN	DESCRIPTION	APPR	BY	DATE
A	-	INITIAL RELEASE	RB	NH	09-30-05
B	-	ADDED CUSTOMER PART# AND CHANGE DIMENSIONS FROM MM TO INCH.	RB	DC	12-20-05
B1	-	ADDED COLOR OF ACTUATOR (BLUE).	RB	DC	12-28-05



RECOMMENDED MOUNTING PATTERN



SCHEMATIC

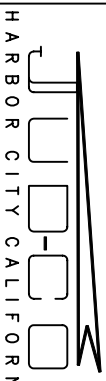
JUDCO INVENTORY NO. 50-0089-00
 SWITCH TYPE: SPDT J-977-8 (ON A-ON B-OFF)

CUSTOMER: DIGI-KEY
 CUSTOMER PN: 543PB-ND

APPROVED BY: _____
 DATE: _____

DIMENSIONS IN INCHES
 DIMENSIONS ARE REFERENCE

DRAWN: NH 09-30-05
 APPR: KJ 12-28-05



MINI FLAT PACK J977-8
 W/STRAIGHT TERMS

DWG. NO. 1415-860

SHEET

1 OF 1

This document embodies a product, component, and/or design proprietary to JUDCO MANUFACTURING INC., and which is protected either as a trade secret, by U.S. Patent, or by copyright. It may not be used in any way without written express consent of JUDCO MANUFACTURING INC.