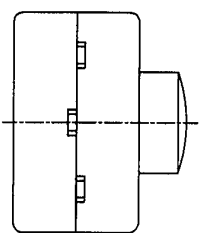
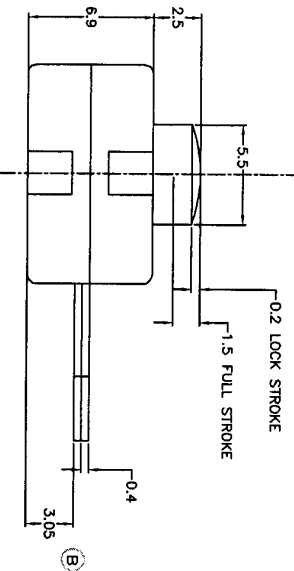
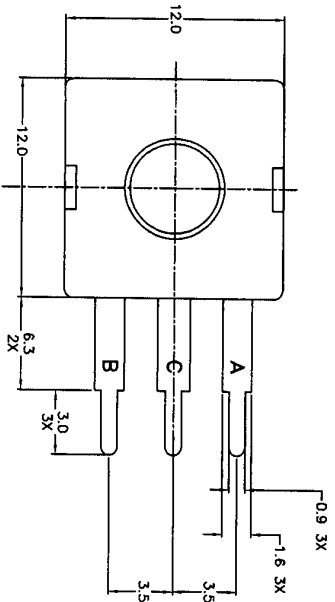
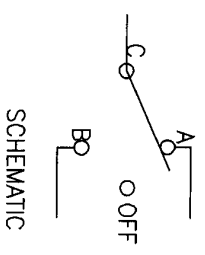
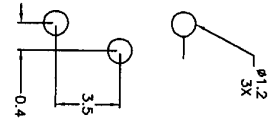


LTR	EN	DESCRIPTION	APPR	BY	DATE
A	-	INITIAL RELEASE	RB	NH	11-10-03
B	-	CHANGE 3.6MM TO 3.05MM.	RB	DC	09-28-04



RECOMMENDED MOUNTING PATTERN



JUDCO INVENTORY NO. 50-0063-00
 SWITCH TYPE: SPDT J977-5 (ON A-OFF-ON B)

CUSTOMER: P/N
 APPROVED BY: _____
 DATE: _____

This document embodies a product, component, and/or design proprietary to JUDCO MANUFACTURING INC., and which is protected either as a trade secret, by U.S. Patent, or by copyright. It may not be used in any way without written express consent of JUDCO MANUFACTURING INC.

DIMENSIONS IN MM TOLERANCES		
X	±.3	
.XX	±.15	
DRAWN: NH	11-10-03	HARBOR CITY CALIFORNIA MINI FLAT PACK J977-5 W/STRAIGHT TERMS
APPR: KJ	09-28-04	
141 SUS03B.DWG		DWG. NO. 1415-503
SHEET		1 OF 1