

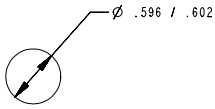
- NOTES:  
 1. CUSTOMER: GRAYHILL STD.  
 2. SWITCH HAS BUTT CONTACT SYSTEM.  
 3. ACTION TYPE: MOMENTARY  
 4. CIRCUITRY: SPST - N.O.

**YYWW**

**GH**

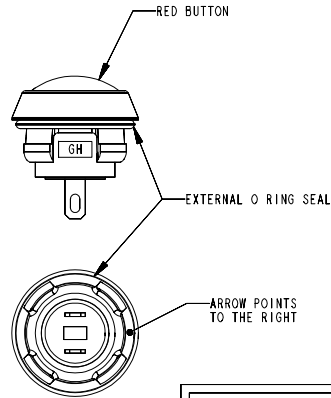
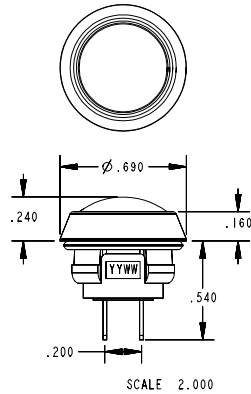
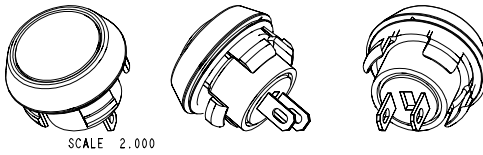
**LABEL DETAIL**

SCALE: 5:1  
 LABEL PART NUMBER: SSS1878-14  
 DATE CODE & \*GH\* TO  
 INDICATE MANUFACTURER'S NAME



RECOMMENDED PANEL CUT-OUT  
 SCALE: 1 TO 1

PANEL THICKNESS WITH \*O\* RING: .098-.106  
 PANEL THICKNESS WITHOUT \*O\* RING: .140-.144



COMPONENT	MATERIAL
BUTTON	RED NYLON - 45% GLASS FILLED
HOUSING	BLACK NYLON - 45% GLASS FILLED
TERMINAL	BRASS - GOLD OVER NICKEL PLATING
SHORTING BAR	BRASS - GOLD OVER NICKEL PLATING
BASE	NYLON - 45% GLASS FILLED
PLUNGER	NYLON - 45% GLASS FILLED
O-RING SEAL	SILICON - 70 DUROMETER
INTERNAL SEAL	SILICON RUBBER
COMPRESSION SPRING	TINNED MUSIC WIRE

MECHANICAL RATINGS	
TRAVEL	.090" NOMINAL
TRAVEL BEFORE MAKE	.035" NOMINAL
CYCLE LIFE	500,000 ELECTRICAL CYCLES
SHOCK	100 G'S / 6 MILLISECONDS
OPERATING TEMP.	-40° C TO +80° C
ACTUATION FORCE	14.5 OZ ± 3 OZ.

ELECTRICAL RATINGS	
RATING AT 24 VDC	150 MILLIAMPS
VOLTAGE BREAKDOWN	1,000 VOLTS
CONTACT RESISTANCE	25 mΩ MAX. (INITIAL)
INSULATION RESISTANCE	1000 MΩ

ISSUE	APP/DATE	DESCRIPTION
C	CWS/JOD 1-26-05	ADDED ARROW NOTE. ECN#355542 JTK 1-26-05
B	CWS/PR 6-9-04	ADDED EXTERNAL O RING ECN#352416 JTK 6-9-04
A	CWS/JMT 5-13-04	ORIGINAL JTK ECN#352011 5-11-04

REVISIONS

**Grayhill** GRAYHILL, INC.  
 581 HILLGROVE AVE.  
 LA GRANGE, IL 60525  
 PHONE (708) 354-1040

UNLESS OTHERWISE SPECIFIED TOLERANCES AND DIMENSIONS ARE IN INCHES  
 LINEAR ± .025 DIAMETERS ± .010  
 ANGULAR ± 1.0°  
 LIMITS APPLY BEFORE FINISHING  
 DO NOT SCALE THIS PRINT

CRITICAL CHARACTERISTIC FLAGS PER GRAYHILL SPEC.SOP2338  
 -- CRITICAL CHARACTERISTIC FLAG

△ -- Cpk REQUIRED  
 ▽ -- S.P.C. FLAG (CONTROL CHART REQ'D ON FEATURE SPECIFIED)

FINISH	APPROVED DATE
---	JMT 4-13-04
MATERIAL	CHECKED DATE
---	CWS 4-12-04
NAME	DATE
PUSHBUTTON ASSEMBLY	JTK 5-11-04
CAGE NO. 81073	30-101.DRW
DWG. NO. 30-101	ISSUE C
SCALE 2:1	SHEET 1 OF 1