

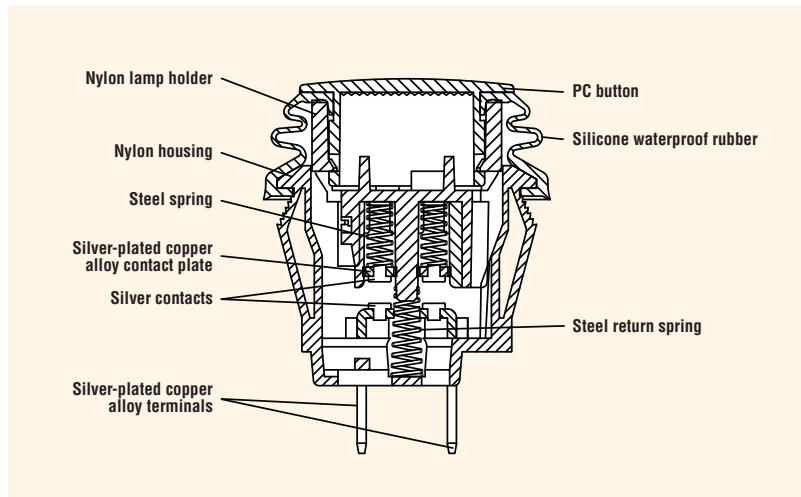


WATERPROOF ROUND PUSHBUTTON SWITCH

KF Series

Features

- Enclosed switch complying to IP65
- Available in single- or double-pole
- Lighted and non-lighted versions
- Maintained-action and momentary options
- Snap-in mounting
- Mechanical life: 100,000 cycles
- DC electrical life: 10,000 cycles



Electrical Ratings

Switch Series	VDC	UL1054 Rating	Electrical Life at Rated Load According to UL (Min. Operations)
KF	20A 14VDC; 10A 28VDC	10A 125VAC; 6A 250VAC; 1/2HP, 125/250VAC	6,000

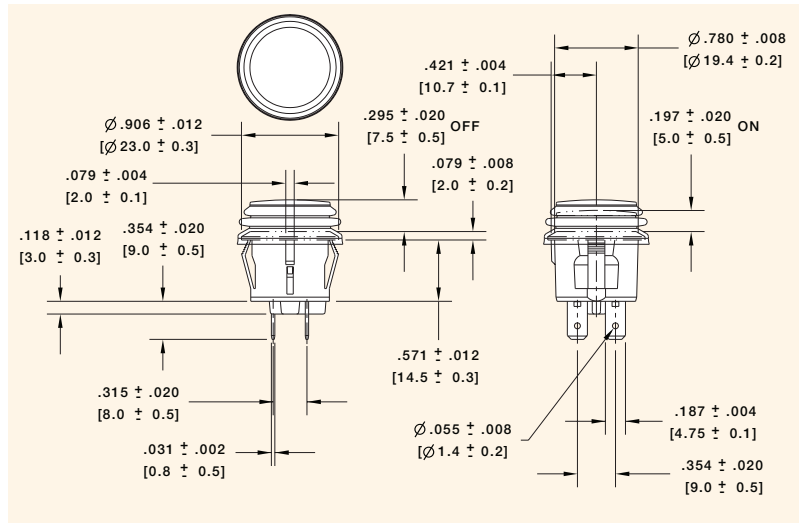
Specifications

Electrical	
Dielectric Strength:	1500VAC for 1 minute
Insulation Resistance:	10 ⁹ ohms min at 500VDC
Initial Contact Resistance:	0.050 ohms max
Temperature Rating:	-25°C to +85°C
Materials	
Actuator:	Polycarbonate 94V-2
Housing:	Nylon 66 94V-2
Spring:	Steel
Contacts:	Silver Alloy
Movable Arm:	Silver-plated Copper Alloy
Terminals:	Silver-plated Copper Alloy
Waterproof Rubber:	Silicone

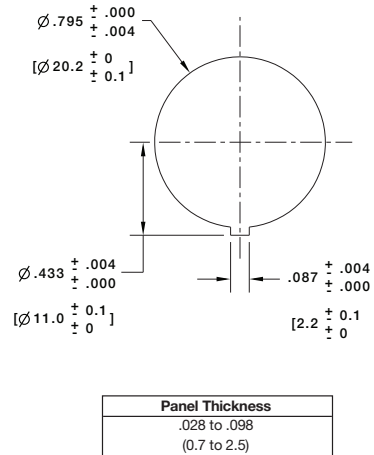




Dimensions inches (mm)



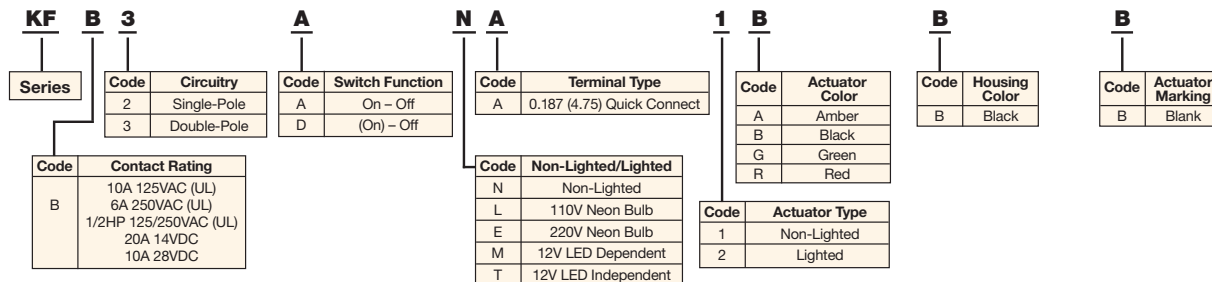
Panel Cut-Out Dimensions for Panel Thickness inches (mm)



Examples of Common Part Numbers and Descriptions inches (mm)

Part Number	Circuitry	Switch Function	Terminal Type	Actuator/Housing Color	Legend Marking
KFB2ANA1BBB		On - Off	0.187 (4.75) Quick Connect	Black/Black	
KFB2ALA2RBB		On - Off (Illuminated)	0.187 (4.75) Quick Connect	Red/Black (Red Lens)	
KFB2DNA1BBB		(On) - Off	0.187 (4.75) Quick Connect	Black/Black	
KFB3ANA1BBB		On - Off	0.187 (4.75) Quick Connect	Black/Black	
KFB3ALA2RBB		On - Off (Illuminated)	0.187 (4.75) Quick Connect	Red/Black (Red Lens)	

Ordering Information



Specifications subject to change without notice.

© 2009 Cherry Corporation