

4

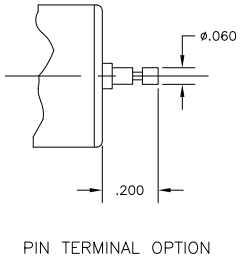
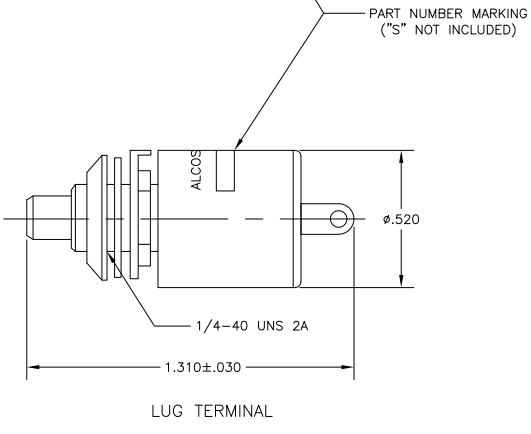
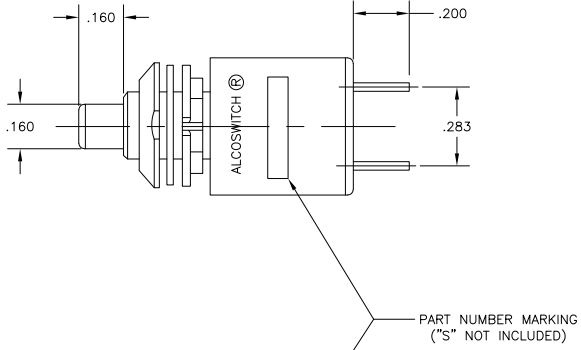
3

2

1

THIS DRAWING IS UNPUBLISHED. RELEASED FOR PUBLICATION. ALL RIGHTS RESERVED.

LOC		DIBT		REVISIONS			
P	LTR	DESCRIPTION	DATE	BY	APP'D		
A2		REVISED PER ECO-11-005027	11MAR11	RK	HMR		



- NOTES:
1. TERMINAL NUMBERS ARE FOR REFERENCE ONLY AND DO NOT APPEAR ON SWITCHES.
 2. EACH SWITCH SUPPLIED WITH THE FOLLOWING MOUNTING HARDWARE:
 - (1) DECORATIVE NUT
 - (1) HEX NUT
 - (1) INTERNAL TOOTH LOCKWASHER
 - (1) LOCATING RING
 3. ALL MATERIALS AND FINISHES SHALL COMPLY WITH EU DIRECTIVE 2002/95/EC OF 27JAN2003 (ROHS).
 4. LUG TERMINALS ACCEPT STANDARD .110 QUICK CONNECT RECEPTACLES. PIN TERMINALS USEABLE FOR PCB APPLICATIONS.

TERMINAL STYLE	CAP COLOR	ACTION	THROWS	POLES	ALCO P/N	P/N
LUG	RED	NORMALLY OPEN	1	1	MSPM101CS104	1825539-4
PIN	RED	NORMALLY OPEN	1	1	MSPM101CS04	1825539-3
LUG	BLACK	NORMALLY CLOSED	1	1	MSPM101BS104	1825539-2
PIN	BLACK	NORMALLY CLOSED	1	1	MSPM101BS04	1825539-1

THIS DRAWING IS A CONTROLLED DOCUMENT.		DRW	140CT92	TE Connectivity	
DIMENSIONS: INCHES		S.M.	150CT92	TE	
TOLERANCES UNLESS OTHERWISE SPECIFIED:		CHK	150CT92	TE Connectivity	
0 PLC ± .005		DESIGN	150CT92	PUSH BUTTON SWITCH, MAGNETIC REED, HERMETICALLY SEALED, AUDIBLE DETENT	
1 PLC ± .005		APP'D	J. JORDAN	RESTRICTED TO	
2 PLC ± .010		PRODUCT SPEC		-	
3 PLC ± .010		APPLICATION SPEC		SIZE	CAGE CODE
4 PLC ± .010		FINISH		A2	00779
ANGLES ± .1°		WEIGHT		C=	1825539
MATERIAL SEE SPECIFICATIONS		FINISH		CUSTOMER DRAWING	
FINISH		SCALE	4:1	SHEET	1 of 2
		REV	A2		

4

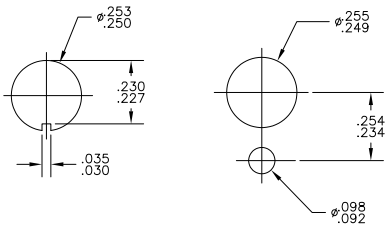
3

2

1

THIS DRAWING IS UNPUBLISHED. RELEASED FOR PUBLICATION
 © COPYRIGHT - By - ALL RIGHTS RESERVED.

LOC	DIST	REVISIONS		
AD	00	P	LTR	DATE
		-	SEE SHEET 1	-



RECOMMENDED HOLE LAYOUT
TO PREVENT ROTATION

MATERIALS		
COMPONENT NAME	BASE MATERIAL	FINISH
CASE	STEEL	
ACTUATOR BUTTON	POLYAMIDE, SEE CHART FOR COLOR	
MOVING CONTACT	COPPER ALLOY	GOLD OVER NICKEL
FIXED CONTACT	COPPER ALLOY	GOLD OVER NICKEL
TERMINALS	COPPER ALLOY	TIN OVER NICKEL

SPECIFICATIONS	
RATING	1.0VA OPTIMUM (100mA MAX., 50 VDC MAX.)
INITIAL CONTACT RESISTANCE	100 MILLIOHMS
INSULATION RESISTANCE	1000 MEGOHMS MIN.
DIELECTRIC WITHSTANDING VOLTAGE	1000 VRMS AT SEA LEVEL
DURABILITY	500000 CYCLES AT .1VA
	50000 CYCLES AT 5VA
OPERATING FORCE	TACTILE KEYBOARD FEEL 4 TO 7 OZ. BREAKAWAY REDUCING IMMEDIATELY TO 1.5 OZ. FOLLOW-THROUGH
TRAVEL	.079 +/- .008
OPERATING TEMPERATURE	-10C TO +80C
STORAGE TEMPERATURE	-10C TO +80C

THIS DRAWING IS A CONTROLLED DOCUMENT.		DRW	140C192	TE Connectivity
		S.M.	150C192	
		CHK	150C192	J. JORDAN PRODUCT SPEC
		APP	190C192	
DIMENSIONS:		TOLERANCES UNLESS OTHERWISE SPECIFIED:		APPLICATION SPEC WEIGHT FINISH
INCHES		0 PLG ± .005 1 PLG ± .005 2 PLG ± .005 3 PLG ± .010 4 PLG ± .010 ANGLES ± .1°		
MATERIAL		SEE SPECIFICATIONS		SIZE CASE CODE DRAWING NO A2 00779 C=1825539
FINISH		SEE SPECIFICATIONS		RESTRICTED TO
SEE SPECIFICATIONS		SEE SPECIFICATIONS		CUSTOMER DRAWING SCALE 4:1 SHEET 2 of 2 REV A2

1471-9 (3/11)

1825539

A