

Component name	Base material	Finish
Case	LCP, black, UL94 V-0	
Terminal, wire lug (gold)	Brass	Gold over nickel
Terminal, PC & RA (gold)	Brass	Gold over nickel in contact area, Tin over nickel in solder area
Terminal, PC & wire lug (silver)	Silver clad copper	Silver over nickel
Contact (gold)	Copper alloy or brass	Gold over nickel
Contact (silver)	Silver clad copper or copper	Silver over nickel
Frame	Steel	Tin over copper
Spring	Music wire	
Plunger Button	Nylon 6/6, black, red or blue, UL94 HB	
Guide, CC & FF switches only	Nylon 6/6, white	

Model	Poles	Rating	Function	Plating	Terminations	Button color	04
TPA	1	1 = Gold .4VA	C = SPST momentary F = SPDT momentary M = DPST momentary R = DPDT momentary	G = Gold	Blank = Wire lug PC = printed circuit	0 = Black 2 = Red 6 = Blue	04
	2 (1+1)	3 = Silver 1 Amp		Blank = Silver	RA = right angle		

Notes:  
 1. Silver only available in wire lug and pc terminations

Specifications	
Rating	Gold: .4VA max. @ 20VDC or peak AC resistive Silver: 1 A @ 125VAC or 28 VDC resistive
Initial termination resistance	20 milliohms max.
Insulation resistance	1,000 Megohms min @ 500 VDC
Dielectric strength	1,000 volts RMS at sea level
Timing	Break before make
Plunger travel	.030
Actuation Force	50 to 400 grams
Life expectancy	.4 VA, 1 pole: 100,000 .4 VA, 2 poles: 80,000 1 A, 1 pole: 60,000 1 A, 2 poles: 50,000
Operating temperature	-30° C to +65° C
Storage temperature	-30° C to +65° C
Terminal seal	Single pole: epoxy Double pole: epoxy optional

- NOTES:
1. TERMINAL NUMBERS ARE FOR REFERENCE ONLY AND DO NOT APPEAR ON SWITCHES
  2. ALL MATERIALS AND FINISHES COMPLY WITH EU DIRECTIVE 2002/95/EC OF 27JAN2003 (ROHS).
- ⚠ CENTER TERMINAL PRESENT ON DOUBLE THROW SWITCHES ONLY.

P/N	Alco P/N	Poles	Throws	Plating	Terminals	Button Color	Function				Connected Terminals				
							ALCO	ALCO	ALCO	ALCO	ALCO	ALCO	ALCO	ALCO	
1825096-1	TPA11CGPC004	1	1	Gold	PC	Black	Off	Mom	Off	Off	Off	1-3			
1825096-2	TPA11CGPC204	1	1	Gold	PC	Red	Off	Mom	Off	Off	Off	1-3			
1825096-3	TPA11CGPC604	1	1	Gold	PC	Blue	Off	Mom	Off	Off	Off	1-3			
1825096-4	TPA11CGRA004	1	1	Gold	Right Angle	Black	Off	Mom	Off	Off	Off	1-3			
1825096-5	TPA11CGRA204	1	1	Gold	Right Angle	Red	Off	Mom	Off	Off	Off	1-3			
1825096-6	TPA11CGRA604	1	1	Gold	Right Angle	Blue	Off	Mom	Off	Off	Off	1-3			
1825096-7	TPA11FGPC004	1	2	Gold	PC	Black	On	Mom	1-2	2-3					
1825096-8	TPA11FGPC204	1	2	Gold	PC	Red	On	Mom	1-2	2-3					
1825096-9	TPA11FGPC604	1	2	Gold	PC	Blue	On	Mom	1-2	2-3					
1-1825096-0	TPA11FGRA004	1	2	Gold	Right Angle	Black	On	Mom	1-2	2-3					
1-1825096-1	TPA11FGRA204	1	2	Gold	Right Angle	Red	On	Mom	1-2	2-3					
1-1825096-2	TPA11FGRA604	1	2	Gold	Right Angle	Blue	On	Mom	1-2	2-3					
1-1825096-3	TPA21CCGPC004	2 (1+1)	1	Gold	PC	Black	Off	Mom	Off	Off	Off	1-3, 4-6			
1-1825096-4	TPA21CCGRA004	2 (1+1)	1	Gold	Right Angle	Black	Off	Mom	Off	Off	Off	1-3, 4-6			
1-1825096-5	TPA21FFGRA204	2 (1+1)	2	Gold	Right Angle	Red	On	Mom	1-2, 4-5	2-3, 5-6					
1-1825096-6	TPA21MGRA004	2	1	Gold	Right Angle	Black	Off	Mom	Off	Off	Off	1-3, 4-6			

THIS DRAWING IS A CONTROLLED DOCUMENT.

TE Connectivity  
 PUSHBUTTON SWITCH, TPA SERIES

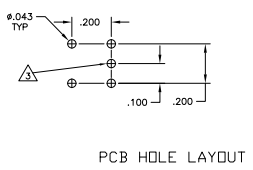
SIZE: A1 00779 G=1825096

CUSTOMER DRAWING

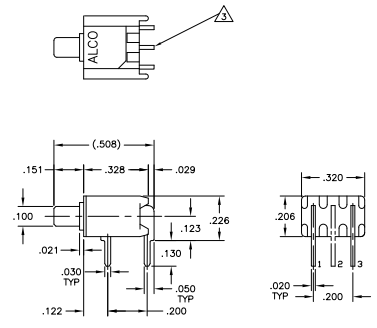
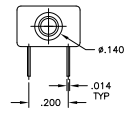


THIS DRAWING IS UNPUBLISHED  
 ALL RIGHTS RESERVED

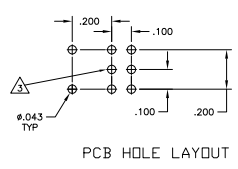
REV	DATE	DESCRIPTION	BY	APP
AD	-	SEE SHEET 1	-	-



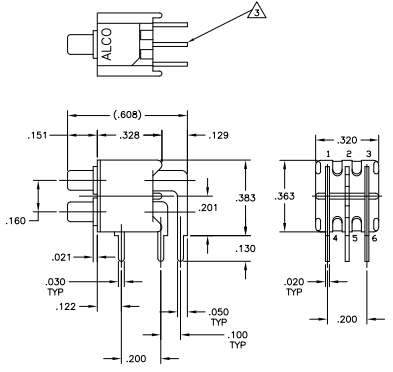
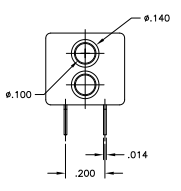
PCB HOLE LAYOUT



TPA11CGRA  
 TPA11FGRA



PCB HOLE LAYOUT

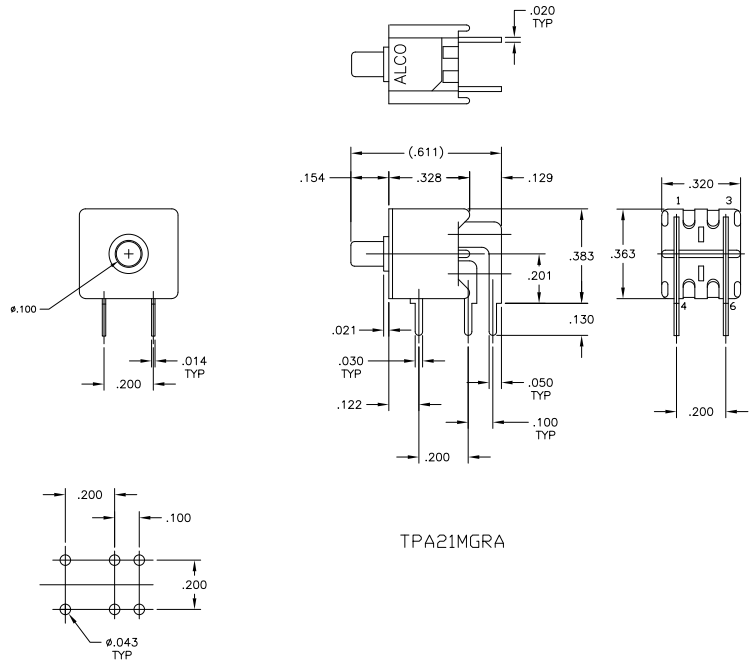


TPA21CCGRA  
 TPA21FFGRA

THIS DRAWING IS A CONTROLLED DOCUMENT.		BY: BENNER	DATE: 01/20/03	TE Connectivity	
DESIGNED BY: M. MITO	DATE: 01/20/03	BY: M. MITO	DATE: 01/20/03	PUSHBUTTON SWITCH, TPA SERIES	
APPROVED BY: M. MITO	DATE: 01/20/03	BY: M. MITO	DATE: 01/20/03	SIZE: A1	DATE: 01/20/03
ISSUED BY: M. MITO	DATE: 01/20/03	BY: M. MITO	DATE: 01/20/03	DRAWING NO: 1825096	REVISION: 1
CUSTOMER DRAWING		PAGE: 4.1		REV: 3	

THIS DRAWING IS UNPUBLISHED  
 ALL RIGHTS RESERVED

REV	DATE	DESCRIPTION	BY	APP
AD	-	SEE SHEET 1	-	-



TPA21MGRA

PCB HOLE LAYOUT

THIS DRAWING IS A CONTROLLED DOCUMENT.		REV	DATE	DESCRIPTION	BY	APP
UNLESS OTHERWISE SPECIFIED:		AD	-	SEE SHEET 1	-	-
UNLESS OTHERWISE SPECIFIED:	UNLESS OTHERWISE SPECIFIED:	DATE	ISSUE	DRAWING NO.	REWORKED TO	
UNLESS OTHERWISE SPECIFIED:	UNLESS OTHERWISE SPECIFIED:	DATE	ISSUE	100779	1825096	
UNLESS OTHERWISE SPECIFIED:	UNLESS OTHERWISE SPECIFIED:	CUSTOMER DRAWING	DATE	4-1	REV	4-4



PUSHBUTTON SWITCH, TPA SERIES