

SPECIFICATIONS

ELECTRICAL

SUPPLY VOLTAGE (USB BUS) 5.0V DC
 SUPPLY CURRENT (USB BUS) 32mA max

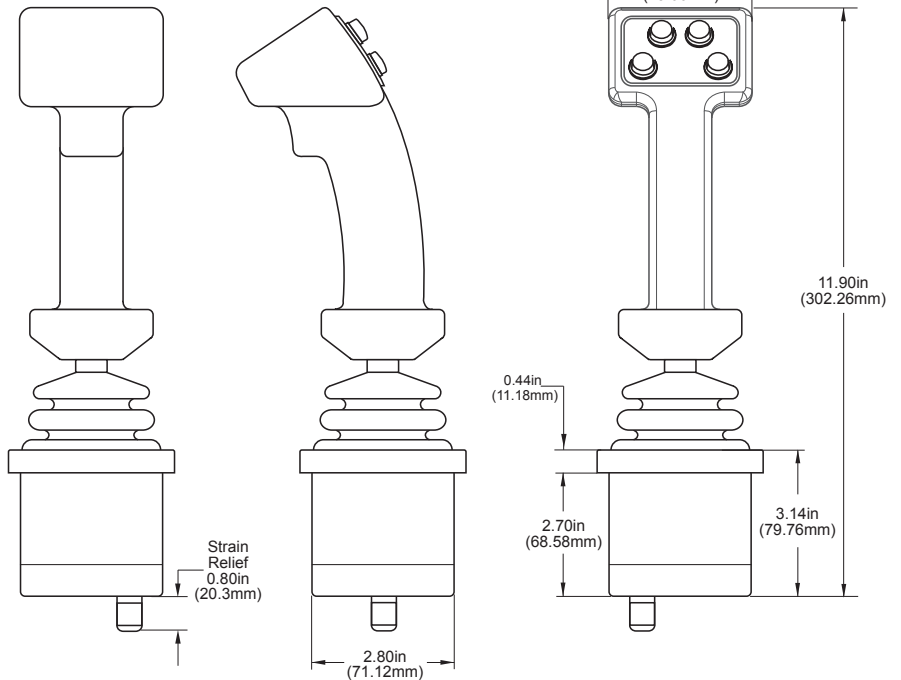
MECHANICAL

OPERATING TRAVEL 38° (19° from center)
 CENTERING Single spring, omnidirectional
 BREAKOUT FORCE 1.3Nm
 OPERATING FORCE 1.5Nm
 MAXIMUM FORCE 1.7Nm
 OPERATING TEMP -40°C to +85°C
 LIFE EXPECTANCY 10 million operations

WIRING

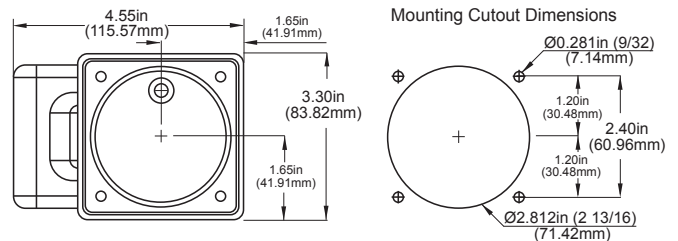
USB 1.1

RoHS compliant



Notes:

- Drop-in mounting only
- Standard HG joysticks are assembled with Strain Relief (.80in)
- Lower profile housings are also available (contact Sales for details)



P/N	HG-3340S00-U	REV	A
DESCRIPTION	Series IV – Multi, Square, 2 Axes, 4 Top Buttons, USB		
PROPRIETARY AND CONFIDENTIAL THE INFORMATION CONTAINED IN THIS DRAWING IS THE SOLE PROPERTY OF CH PRODUCTS. ANY REPRODUCTION IN PART OR AS WHOLE WITHOUT THE WRITTEN PERMISSION OF CH PRODUCTS IS PROHIBITED.			