

## SPECIFICATIONS

### ELECTRICAL

SUPPLY VOLTAGE	5.0V DC
CENTER VOLTAGE	2.5V DC
SUPPLY CURRENT	10mA max/axis
OUTPUT CURRENT	2mA max/axis
EFFECTIVE OUTPUT	0V – 5V DC
OUTPUT TOLERANCE	±2%

### MECHANICAL

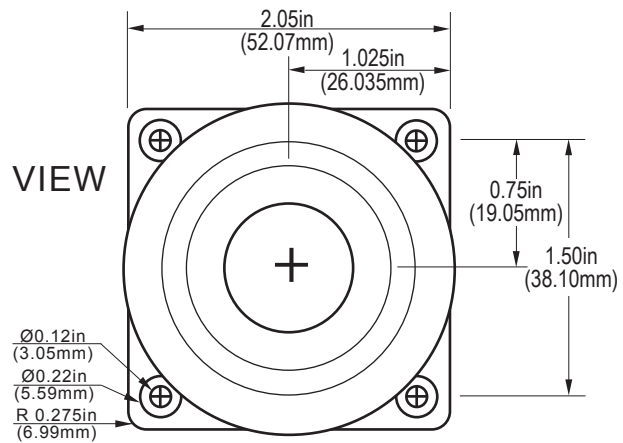
OPERATING TRAVEL	40° (20° from center)
CENTERING	Single spring, omnidirectional
BREAKOUT FORCE	0.257Nm
OPERATING FORCE	0.128Nm
MAXIMUM FORCE	0.385Nm
OPERATING TEMP	-40°C to +85°C
LIFE EXPECTANCY	10 million operations

### WIRING

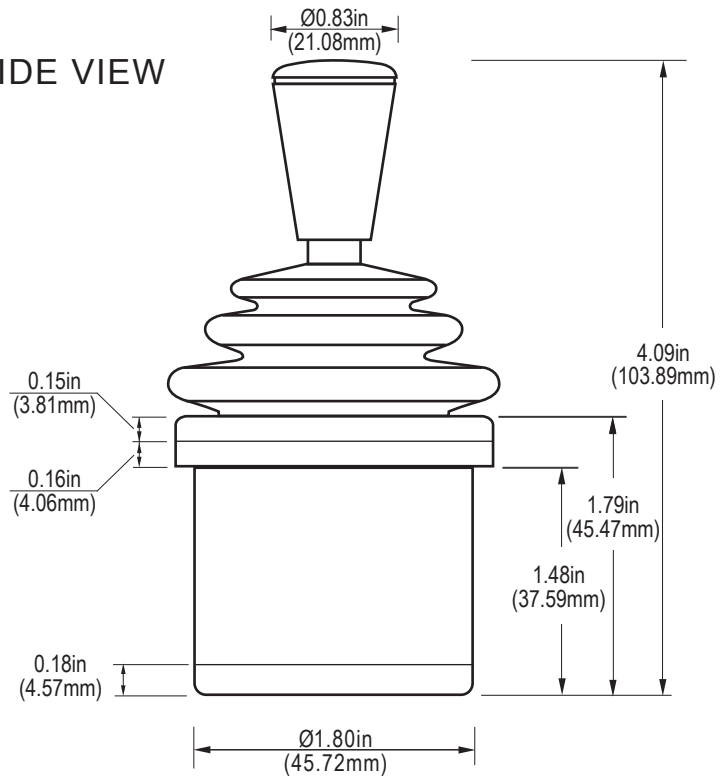
RED	Supply voltage
BLACK	Ground
BLUE	X-Axis
YELLOW	Y-Axis

**RoHS** compliant

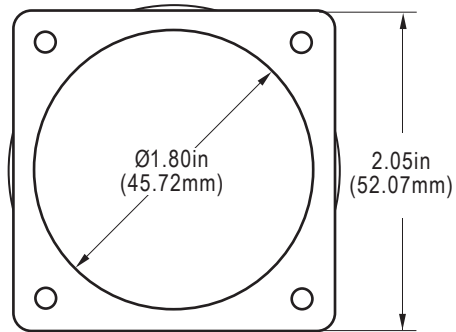
TOP VIEW



SIDE VIEW



BOTTOM VIEW



**CH**  
Products

P/N

**HFX2-11S10**

REV  
**A**

DESCRIPTION

**Series II – 2 Axes, no Button**

PROPRIETARY AND CONFIDENTIAL

THE INFORMATION CONTAINED IN THIS DRAWING IS THE SOLE PROPERTY OF CH PRODUCTS. ANY REPRODUCTION IN PART OR AS WHOLE WITHOUT THE WRITTEN PERMISSION OF CH PRODUCTS IS PROHIBITED.