

SPECIFICATIONS

ELECTRICAL

SUPPLY VOLTAGE (USB BUS)	5.0V DC
SUPPLY CURRENT (USB BUS)	32mA max/axis

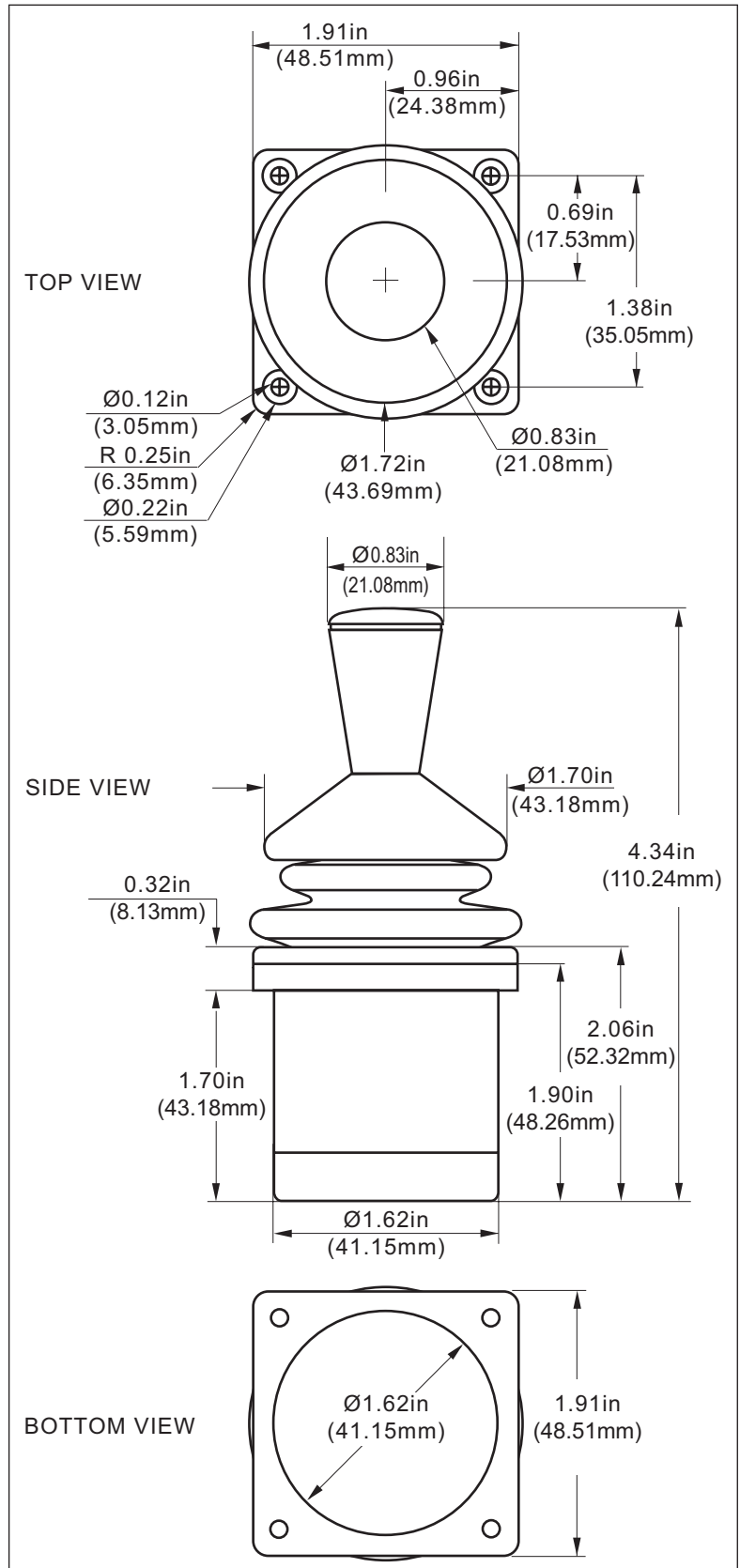
MECHANICAL

OPERATING TRAVEL	36° (18° from center)
CENTERING	Single spring, omnidirectional
BREAKOUT FORCE	0.109Nm
OPERATING FORCE	0.151Nm
MAXIMUM FORCE	0.169Nm
OPERATING TEMP	-40°C to +85°C
LIFE EXPECTANCY	10 million operations

WIRING

USB 1.1

RoHS compliant



CH
Products

P/N

HFX-11S00-U

REV
A

DESCRIPTION

Series I – 2 Axes, no Button, USB

PROPRIETARY AND CONFIDENTIAL

THE INFORMATION CONTAINED IN THIS DRAWING IS THE SOLE PROPERTY OF CH PRODUCTS. ANY REPRODUCTION IN PART OR AS WHOLE WITHOUT THE WRITTEN PERMISSION OF CH PRODUCTS IS PROHIBITED.