

SPECIFICATIONS

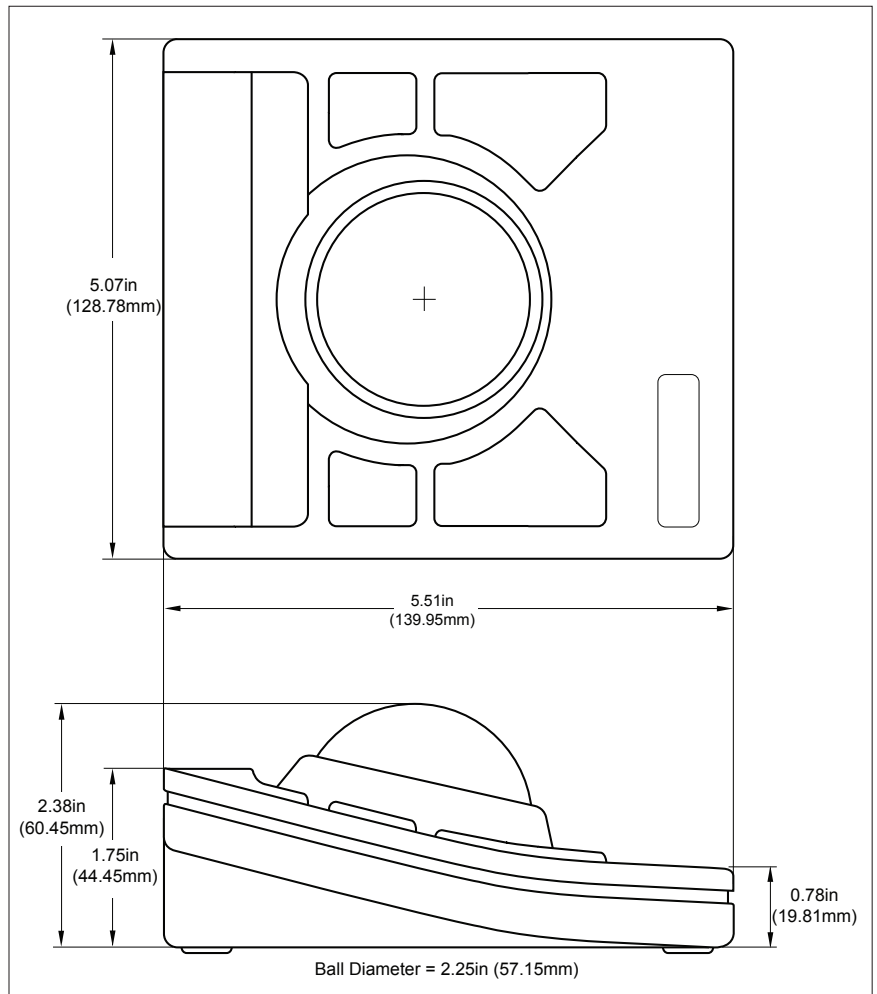
ELECTRICAL

USB
 INPUT: 5V @ 25mA max
 OUTPUT: USB1.1

MECHANICAL

BALL DIAMETER: 2.25"
 BALL ROTATION: Continuous
 TRACKING FORCE: 12g
 WEIGHT: 460g
 LIFE CYCLE (BALL ROTATIONS): 5 Million

RoHS compliant



P/N	DT2257X20V00-B1k	REV	A
DESCRIPTION	DT225 Black Desktop Trackball, USB		
PROPRIETARY AND CONFIDENTIAL THE INFORMATION CONTAINED IN THIS DRAWING IS THE SOLE PROPERTY OF CH PRODUCTS. ANY REPRODUCTION IN PART OR AS WHOLE WITHOUT THE WRITTEN PERMISSION OF CH PRODUCTS IS PROHIBITED.			