

### SPECIFICATIONS

#### ELECTRICAL

SUPPLY VOLTAGE	5V DC
SUPPLY CURRENT	10mA max
OUTPUT CURRENT	2mA max
EFFECTIVE OUTPUT	0V - 5V DC
OUTPUT TOLERANCE	±2%

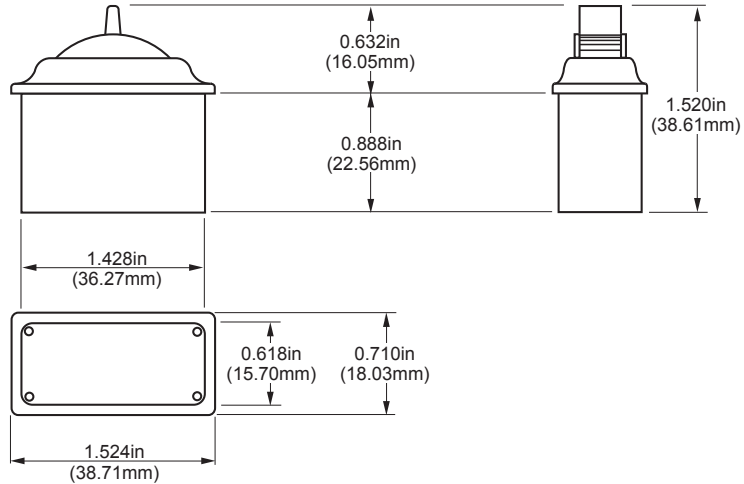
#### MECHANICAL

OPERATING TRAVEL	80° (40° from center)
CENTERING	Spring centering
ACTUATION FORCE	80g (0.78 Newtons)
OPERATING TEMPERATURE	-40° to +85°C
THUMBWHEEL COLOR	Blue
LIFE EXPECTANCY	5 million operations

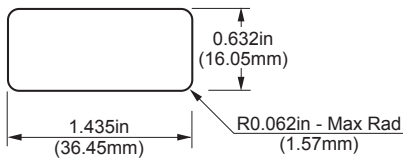
#### WIRING

RED	+5V
BLACK	Ground
BLUE	Output

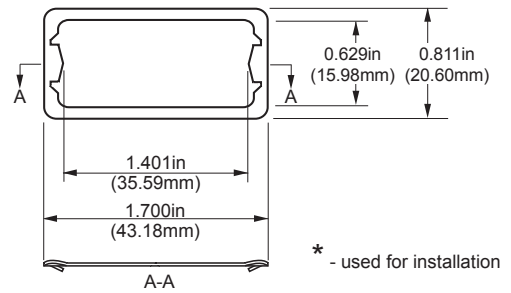
RoHS compliant



#### MOUNTING CUT-OUT DIMENSIONS



#### STEEL SPRING RETAINER \*



\* - used for installation



P/N	<b>HTW-00-BLUE</b>	REV	<b>A</b>
DESCRIPTION	<b>Thumbwheel - Blue</b>		
PROPRIETARY AND CONFIDENTIAL THE INFORMATION CONTAINED IN THIS DRAWING IS THE SOLE PROPERTY OF CH PRODUCTS. ANY REPRODUCTION IN PART OR AS WHOLE WITHOUT THE WRITTEN PERMISSION OF CH PRODUCTS IS PROHIBITED.			