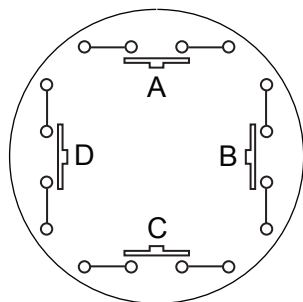
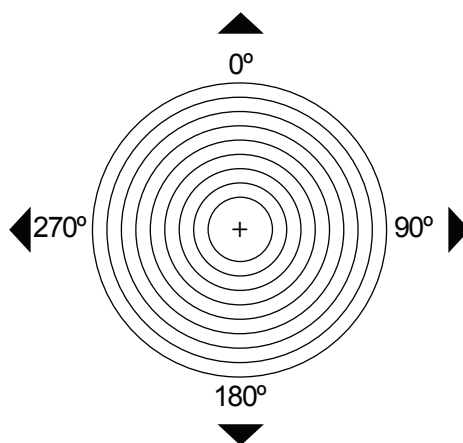


Bottom Terminal View



Top Actuator View



4-WAY MOMENTARY TOGGLE ACTION WITH OPERATING POSITIONS EVERY 90°

SPECIFICATIONS

ELECTRICAL

CIRCUITS AVAILABLE	SPST, 4 toggle positions
SWITCHING CAPACITIES	1 to 50mA, 5 to 24VDC (resistive load)
ELECTRICAL LIFE	1,000,000 operations min @ 100gF 300,000 operations min @ 150gF 100,000 operations min @ 260gF

CONSTRUCTION

Thermoplastic - black

RoHS compliant



P/N	500-526	REV	A
DESCRIPTION	4-Way Hat		
PROPRIETARY AND CONFIDENTIAL THE INFORMATION CONTAINED IN THIS DRAWING IS THE SOLE PROPERTY OF CH PRODUCTS. ANY REPRODUCTION IN PART OR AS WHOLE WITHOUT THE WRITTEN PERMISSION OF CH PRODUCTS IS PROHIBITED.			