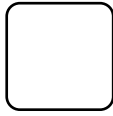
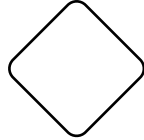


HFX SERIES I

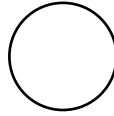
LIMITER PLATE OPTIONS



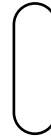
SQUARE



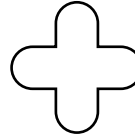
DIAMOND



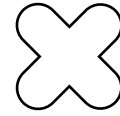
ROUND



SLOTTED
(X OR Y AXIS)

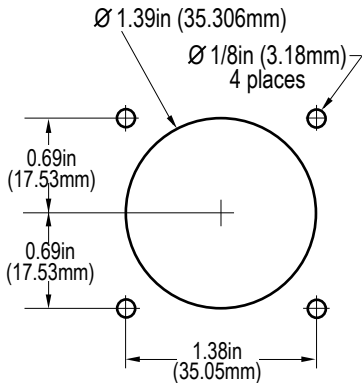


PLUS

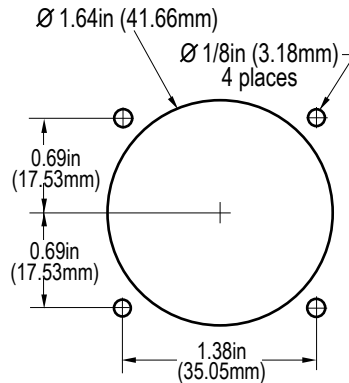


CROSS

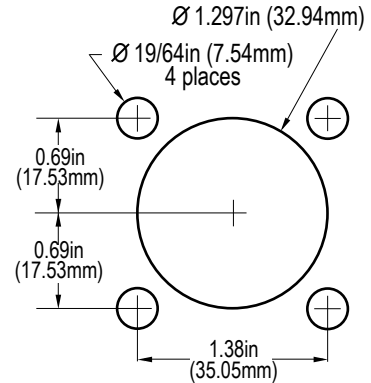
PANEL CUTOUT DIMENSIONS



FLUSH MOUNT *



DROP-IN, RAISED, SNAP-ON
REAR MOUNT OPTION B

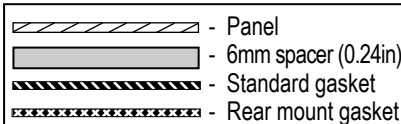
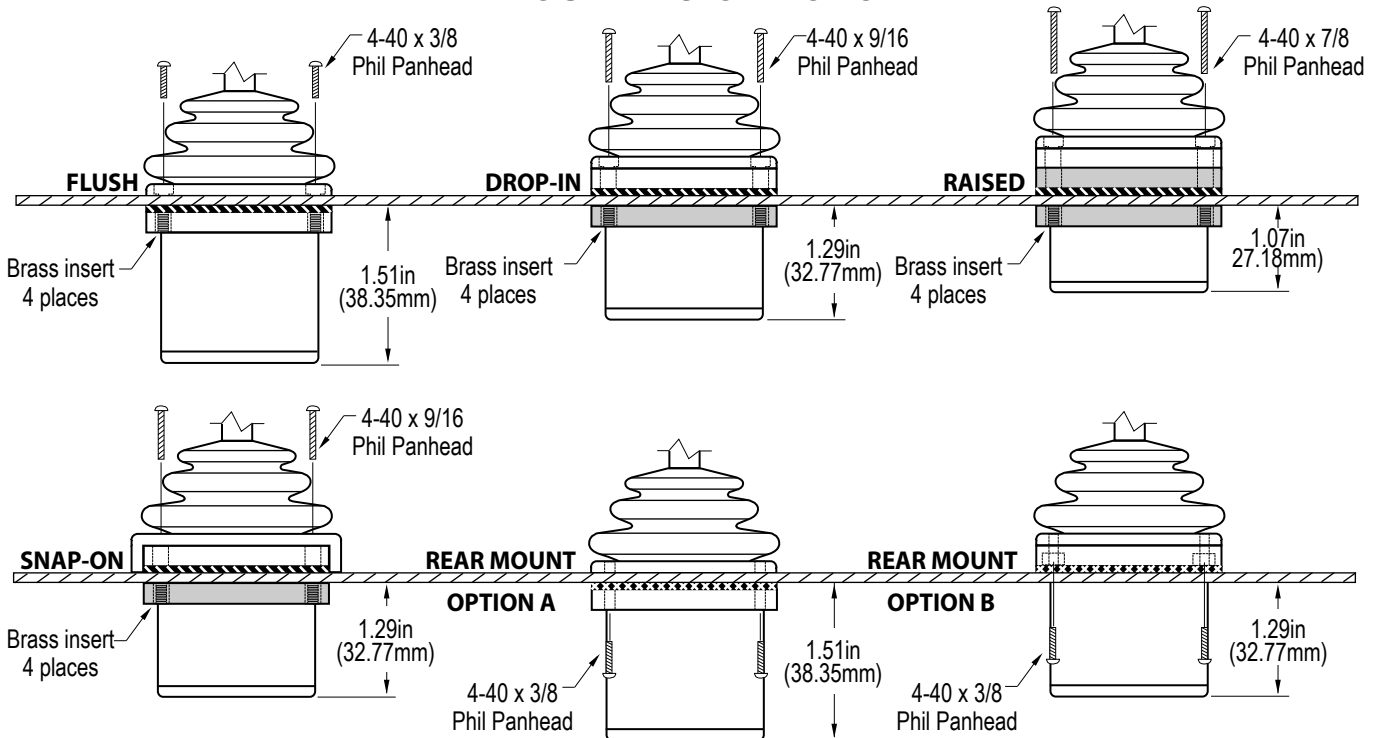


REAR MOUNT OPTION A **

* Not available for Option 1 Handle

** Available only for Option 0 and Option 2 Handles

MOUNTING OPTIONS



Notes - The panel thickness can be 0.046in to 0.125in (1.17mm to 3.17mm), except for the Rear Mount Option A, where the maximum panel thickness is 0.063in (1.6mm).
 - A panel thickness of 1/16" (0.063in, 1.6mm) was considered for all the below-panel depth values.
 - The below-panel depth is extended by 0.40in (10.15mm) with the USB option.