

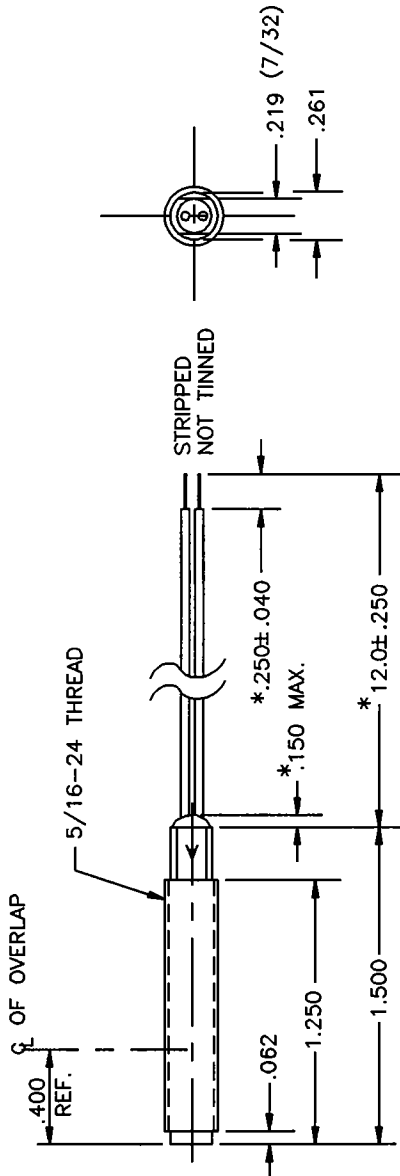
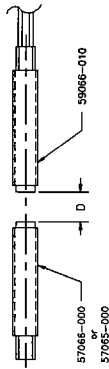
Electrical

CONTACT TYPE  
 CONTACT RATING, MAX.  
 SWITCHING VOLTAGE, MAX.  
 SWITCHING CURRENT, MAX.  
 CARRY CURRENT, MAX.  
 CONTACT RESISTANCE INCLUDING LEADS, MAX.  
 BREAKDOWN VOLTAGE, MIN.

FORM A  
 10 WATTS  
 200 VDC  
 0.5 AMPS  
 1.2 AMPS  
 200 mΩ  
 250 VDC

Physical

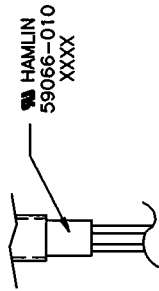
BLACK UL 94V-0 POLYESTER  
 BLACK EPOXY  
 24 AWG PVC UL1569 BLACK  
 57066-000 or 57065-000  
 .150" MIN.  
 .800" MAX.



\* KEY ASSEMBLY DIMENSIONS  
 CAPSULE TOLERANCES: ±.010 (0,25) UNLESS NOTED



Print Detail



MARKING MAY VARY DUE TO  
 SPACE LIMITATIONS

© HAMLIN, Incorporated  
 2003

This design and print is copyright and is the property of HAMLIN, Inc. It must not be copied or permitted to be copied, nor may its contents be divulged to any third party without prior written permission from the company.

59066-010 SENSOR

**HAMLIN, Inc.**

DCR No. 1220

AC	UPDATE TO NEW FORMAT	A7340	BJE	7/27/98	BJE	8/12/98
REV.	DESCRIPTION OF REVISION	DCR No.	BY	DATE	APP.	DATE

Dwn.	DRR	DATE	4/19/88
App'd	DRR	DATE	6/24/88