

IGBT Module

Sixpack

Short Circuit SOA Capability
Square RBSOA

$$I_{C25} = 58 \text{ A}$$

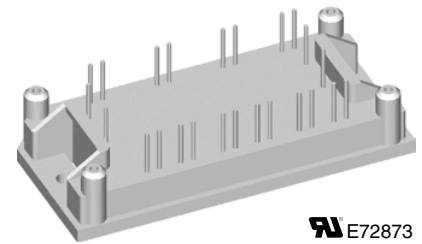
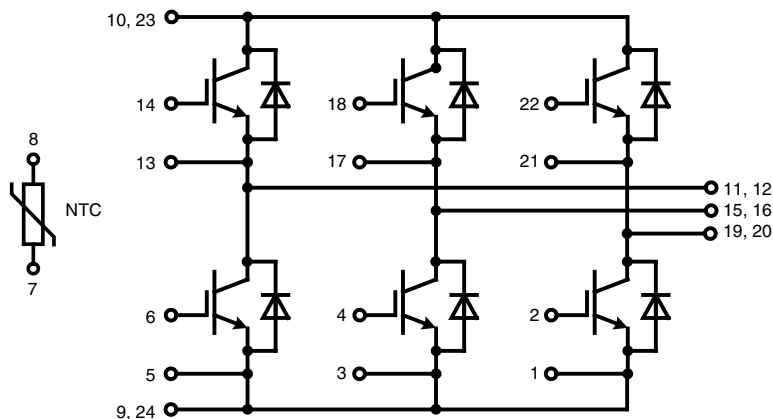
$$V_{CES} = 1200 \text{ V}$$

$$V_{CE(sat) \text{ typ.}} = 1.9 \text{ V}$$

Preliminary data

Part name (Marking on product)

MWI 60-12T6K



E72873

Pin configuration see outlines.

Features:

- Trench IGBTs
 - low saturation voltage
 - positive temperature coefficient for easy paralleling
 - fast switching
 - short tail current for optimized performance also in resonant circuits
- HiPerFRED™ diode:
 - fast reverse recovery
 - low operating forward voltage
 - low leakage current
- Industry Standard Package
 - solderable pins for PCB mounting
 - isolated copper base plate

Application:

- AC drives
- UPS
- Welding

Package:

- UL registered
- Industry standard E1-pack

IGBTs

Symbol	Definitions	Conditions	Ratings			Unit	
			min.	typ.	max.		
V_{CES}	collector emitter voltage		$T_{VJ} = 25^{\circ}\text{C}$ to 150°C			V	
V_{GES}	max. DC gate voltage	continuous			± 20	V	
V_{GEM}	max. transient collector gate voltage	transient			± 30	V	
I_{C25}	collector current		$T_C = 25^{\circ}\text{C}$			58	A
I_{C80}			$T_C = 80^{\circ}\text{C}$			41	A
P_{tot}	total power dissipation		$T_C = 25^{\circ}\text{C}$			200	W
$V_{CE(sat)}$	collector emitter saturation voltage	$I_C = 35\text{ A}; V_{GE} = 15\text{ V}$	$T_{VJ} = 25^{\circ}\text{C}$			1.9	V
			$T_{VJ} = 125^{\circ}\text{C}$			2.2	V
$V_{GE(th)}$	gate emitter threshold voltage	$I_C = 1.5\text{ mA}; V_{GE} = V_{CE}$	4.5		6.5	V	
I_{CES}	collector emitter leakage current	$V_{CE} = V_{CES}; V_{GE} = 0\text{ V}$	$T_{VJ} = 25^{\circ}\text{C}$			0.8	mA
			$T_{VJ} = 125^{\circ}\text{C}$				mA
I_{GES}	gate emitter leakage current	$V_{CE} = 0\text{ V}; V_{GE} = \pm 20\text{ V}$			400	nA	
C_{ies}	input capacitance	$V_{CE} = 25\text{ V}; V_{GE} = 0\text{ V}; f = 1\text{ MHz}$		2530		pF	
$Q_{G(on)}$	total gate charge	$V_{CE} = 600\text{ V}; V_{GE} = 15\text{ V}; I_C = 35\text{ A}$		330		nC	
$t_{d(on)}$	turn-on delay time	} inductive load $V_{CE} = 600\text{ V}; I_C = 35\text{ A}$ $V_{GE} = \pm 15\text{ V}; R_G = 27\ \Omega$	$T_{VJ} = 125^{\circ}\text{C}$			90	ns
t_r	current rise time		50	ns			
$t_{d(off)}$	turn-off delay time		520	ns			
t_f	current fall time		90	ns			
E_{on}	turn-on energy per pulse		3.5	mJ			
E_{off}	turn-off energy per pulse		4.8	mJ			
I_{CM}	reverse bias safe operating area	RBSOA; $V_{GE} = \pm 15\text{ V}; R_G = 27\ \Omega$ $L = 100\ \mu\text{H};$ clamped induct. load $V_{CEmax} = V_{CES} - L_S \cdot di/dt$	$T_{VJ} = 125^{\circ}\text{C}$			70	A
t_{SC} (SCSOA)	short circuit safe operating area	$V_{CE} = 900\text{ V}; V_{GE} = \pm 15\text{ V};$ $R_G = 27\ \Omega;$ non-repetitive	$T_{VJ} = 125^{\circ}\text{C}$			10	μs
R_{thJC}	thermal resistance junction to case	(per IGBT)			0.62	K/W	
R_{thCH}	thermal resistance case to heatsink	(per IGBT)		0.25		K/W	

Diodes

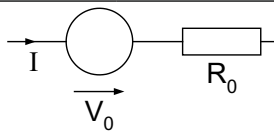
Symbol	Definitions	Conditions	Maximum Ratings			Unit	
			min.	typ.	max.		
V_{RRM}	max. repetitive reverse voltage				1600	V	
I_{F25}	forward current		$T_C = 25^{\circ}\text{C}$			49	A
I_{F80}			$T_C = 80^{\circ}\text{C}$			32	A
Symbol	Conditions	Characteristic Values					
			min.	typ.	max.		
V_F	forward voltage	$I_F = 35\text{ A}$	$T_{VJ} = 25^{\circ}\text{C}$			2.6	V
			$T_{VJ} = 125^{\circ}\text{C}$			1.8	V
I_{RM}	max. reverse recovery current	} $V_R = 600\text{ V}; I_F = 35\text{ A}$ $di_F/dt = -600\text{ A}/\mu\text{s}$	$T_{VJ} = 100^{\circ}\text{C}$			35	A
t_{rr}	reverse recovery time		$T_{VJ} = 100^{\circ}\text{C}$	150		ns	
R_{thJC}	thermal resistance junction to case	(per diode)	$T_{VJ} = 25^{\circ}\text{C}$			0.9	K/W
R_{thCH}	thermal resistance case to heatsink	(per diode)		0.3		K/W	

Temperature Sensor NTC

Symbol	Definitions	Conditions	Ratings			Unit
			min.	typ.	max.	
R_{25}	<i>resistance</i>	$T_C = 25^\circ\text{C}$	4.45	4.7	5.0	k Ω
$B_{25/85}$				3510		K

Module

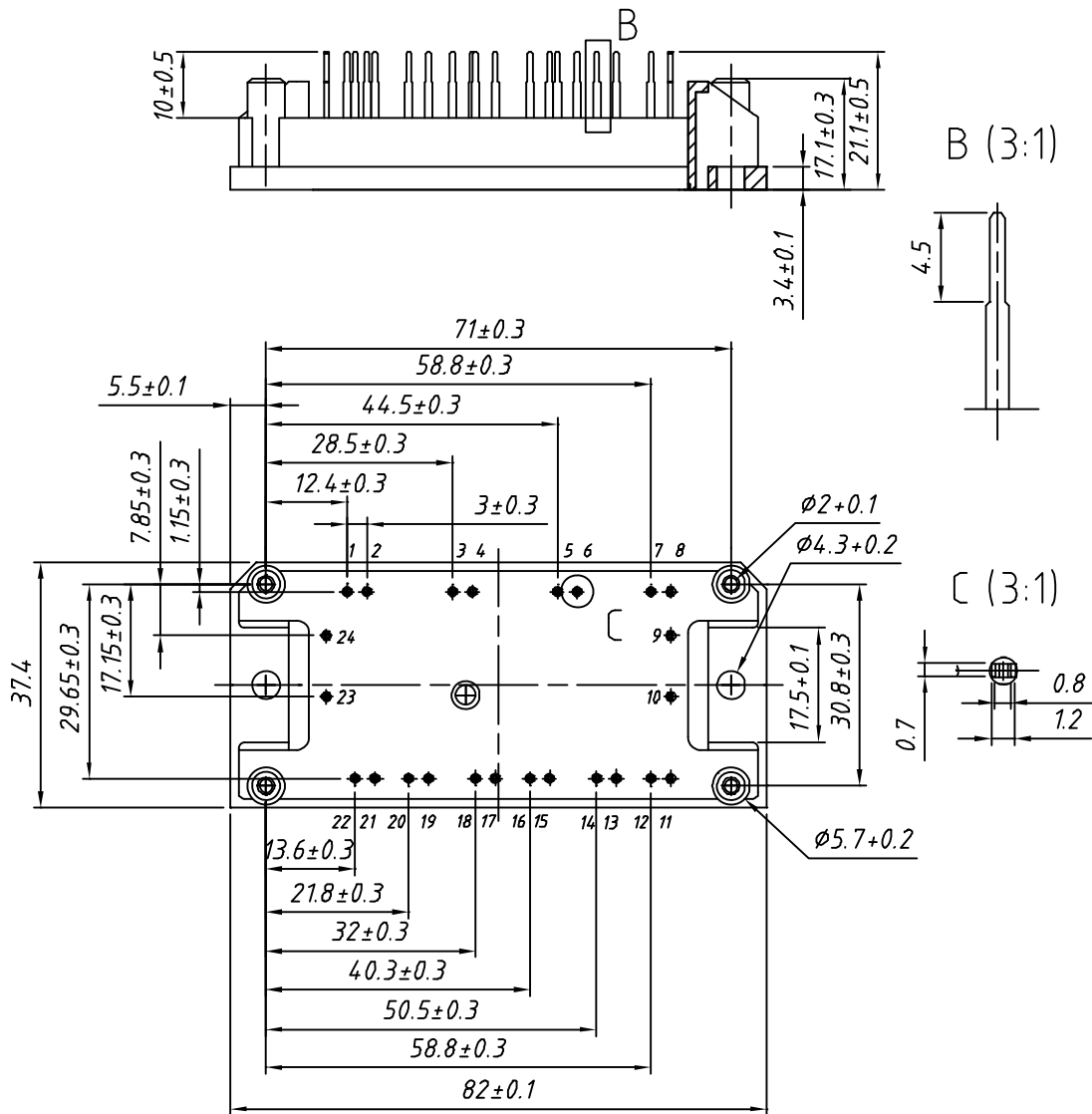
Symbol	Definitions	Conditions	Ratings			Unit
			min.	typ.	max.	
T_{VJ}	<i>operating temperature</i>		-40		125	$^\circ\text{C}$
T_{VJM}	<i>max. virtual junction temperature</i>				150	$^\circ\text{C}$
T_{stg}	<i>storage temperature</i>		-40		125	$^\circ\text{C}$
V_{ISOL}	<i>isolation voltage</i>	$I_{ISOL} \leq 1 \text{ mA}; 50/60 \text{ Hz}$			2500	V~
M_d	<i>mounting torque</i>	(M4)	2.0		2.2	Nm
d_S	<i>creep distance on surface</i>		12.7			mm
d_A	<i>strike distance through air</i>		12.7			mm
Weight				40		g

Equivalent Circuits for Simulation

Ratings

Symbol	Definitions	Conditions	min.	typ.	max.	Unit
V_0	<i>IGBT</i>	$T_{VJ} = 125^\circ\text{C}$		1.0		V
R_0				31		m Ω
V_0	<i>free wheeling diode</i>	$T_{VJ} = 125^\circ\text{C}$		1.5		V
R_0				14		m Ω

Outline Drawing

Dimensions in mm (1 mm = 0.0394")



Product Marking

Ordering	Part Name	Marking on Product	Delivering Mode	Base Qty	Ordering Code
Standard	MWI 60-12T6K	MWI60-12T6K	Box	10	500 152