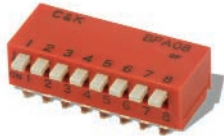


C&K BPA Series Side Actuated DIP Switches



H

DIP



Features/Benefits

- Side actuated contacts
- Available in thru-hole or SMT models
- High pressure contact system does not require tape seal

Typical Applications

- Address switch for industrial controls
- Logic switching for computers and peripherals
- Function controlling for numerous applications

How To Order

Complete part numbers for BPA Series are shown on pages H-11 thru H-12. All switches supplied in "OFF" position.

Specifications

SWITCH FUNCTION: 2 thru 10 position available (except 3 position).
 CONTACT RATING: 100 mA max. @ 5 V DC or 25 mA max. @ 24 V DC.
 MECHANICAL AND ELECTRICAL LIFE: 1,000 cycles min. @ 5 V DC 10mA.
 CONTACT RESISTANCE: 50 milliohms initial max.
 INSULATION RESISTANCE: 100 V DC 100 megohms min.
 DIELECTRIC WITHSTAND VOLTAGE: 300 V AC for 1 minute.
 STORAGE TEMPERATURE: -40°C to 85°C.
 OPERATING TEMPERATURE: -20°C to 85°C.
 OPERATING FORCE: 800 grams max.
 SOLDERABILITY: Flow solderable and washable (soldering: 235°C ± 5°C for 5 sec.)

PACKAGING: Switches supplied in rigid dispensing tubes in full-tube quantities only, this may affect order quantity. Numbers of switches per tube varies with model. Tape and reel packaging only available for 4, 8 & 9 positions.

Materials

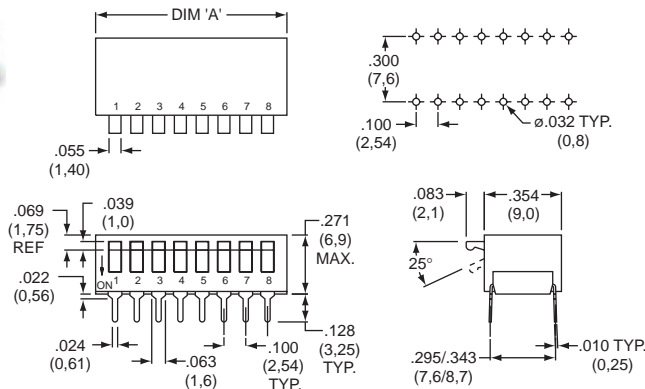
HOUSING: PBT (thru-hole) color: Black. PPA (SMT) color: Red (all UL94V-0).
 COVER: PBT (thru-hole) color: Red. PPA (SMT) color: Red (all UL94V-0).
 ACTUATOR: PBT (thru-hole): PA-6T (SMT) (UL94V-0).
 CONTACTS: Beryllium copper with gold plate.
 TERMINALS: Brass/Tin-lead plated.

NOTE: Specifications and materials listed above are for switches with standard options. For information on specific and custom switches, consult Customer Service Center.

Side Actuator – Thru-hole Terminals



BPA08K



PART NUMBER	NO. POS.	DIM. 'A'	QUANTITY PER TUBE
BPA02K	2	.280 (7,11)	60
BPA04K	4	.480 (12,19)	35
BPA05K	5	.578 (14,68)	30
BPA06K	6	.680 (17,30)	25
BPA07K	7	.778 (19,76)	20
BPA08K	8	.878 (22,30)	20
BPA09K	9	.978 (24,84)	15
BPA10K	10	1.078 (27,43)	15

Schematic

SPST

NOTE: Reverse throw available, add "R" to part number for "on" in "up" position. (example: BPA08RK)

C&K BPA Series Side Actuated DIP Switches

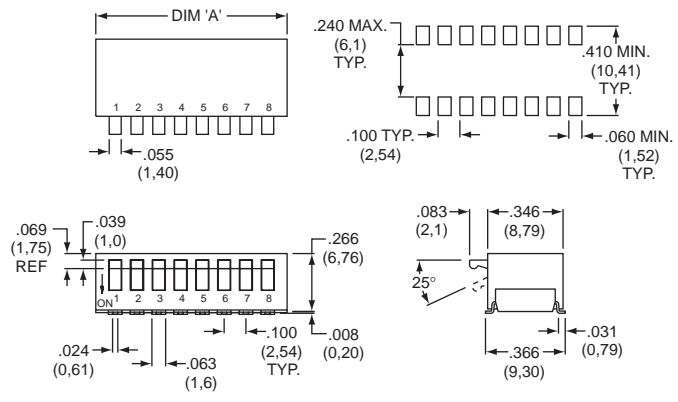


Side Actuator – Surface Mount Terminals

PART NUMBER	NO. POS.	DIM. 'A'	QUANTITY PER TUBE
BPA02SK	2	.280 (7,11)	60
BPA04SK	4	.480 (12,19)	35
BPA05SK	5	.578 (14,68)	30
BPA06SK	6	.680 (17,30)	25
BPA07SK	7	.778 (19,76)	20
BPA08SK	8	.878 (22,30)	20
BPA09SK	9	.978 (24,84)	15
BPA10SK	10	1.078 (27,43)	15

Schematic

SPST

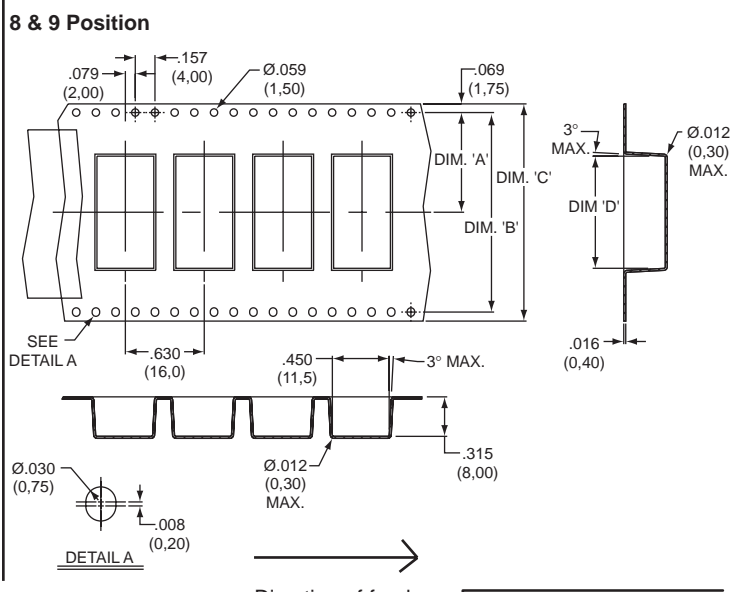
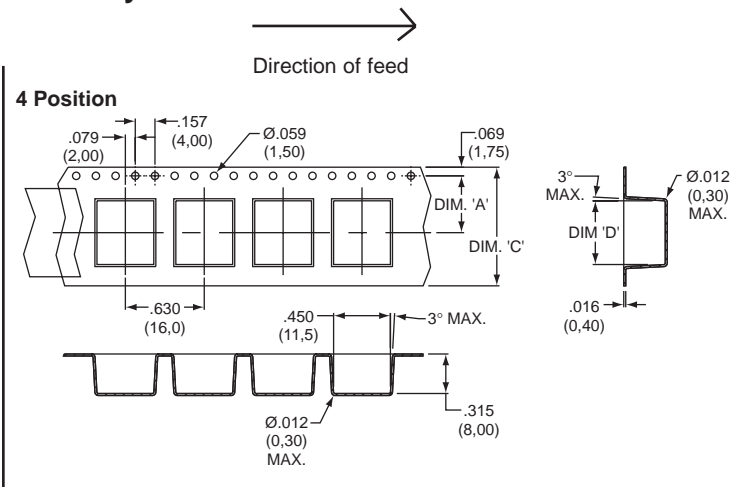
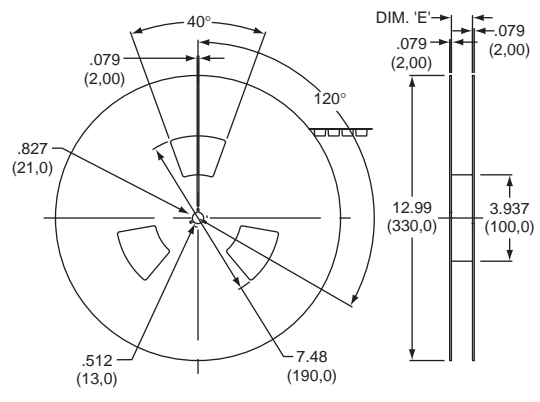


NOTE: Reverse throw available, add "R" to part number for "on" in "up" position. (example: BPA08RSK)

Tape & Reel Packaging - Surface Mount Options Only 4, 8 & 9 Positions Only

POLES	DIM. 'A'	DIM. 'B'	DIM. 'C'	DIM. 'D'	DIM. 'E'
4	.453 (11,5)	—	.945 (24,0)	.508 (12,9)	.961 (24,4)
8	.795 (20,2)	1.590 (40,4)	1.732 (44,0)	.894 (22,7)	1.748 (44,4)
9	.795 (20,2)	1.590 (40,4)	1.732 (44,0)	1.004 (25,5)	1.748 (44,4)

Note: For tape and reel packaging, add 'R' to end of part number.



Dimensions are shown inch (mm)
Dimensions subject to change