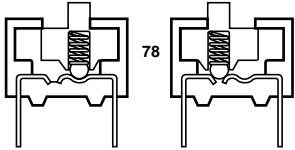


SERIES 78 SPST To 4PST Slide

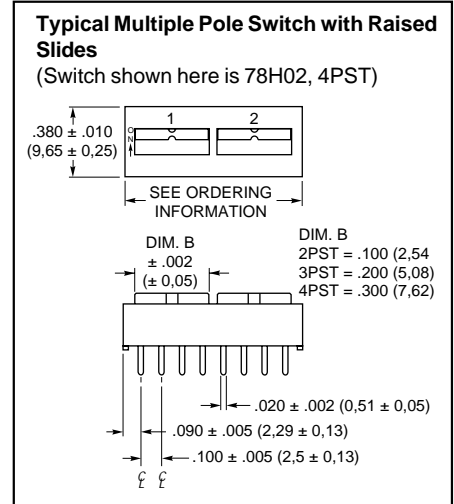
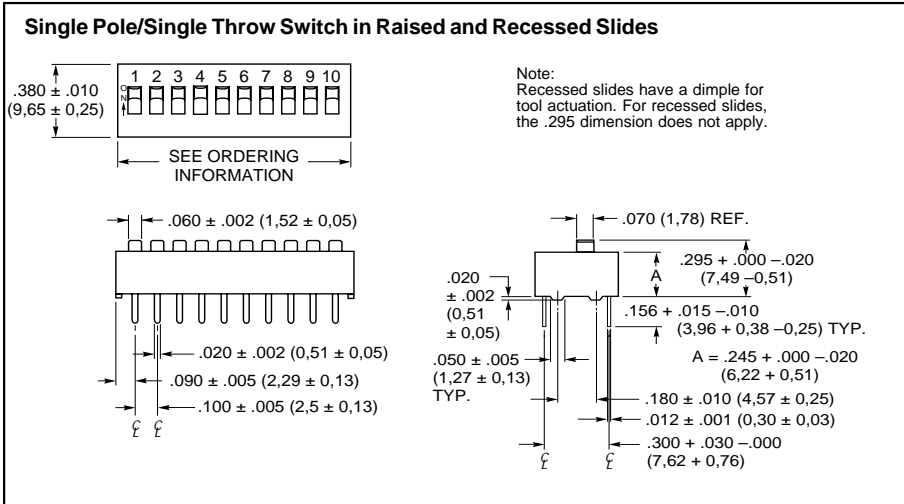


FEATURES

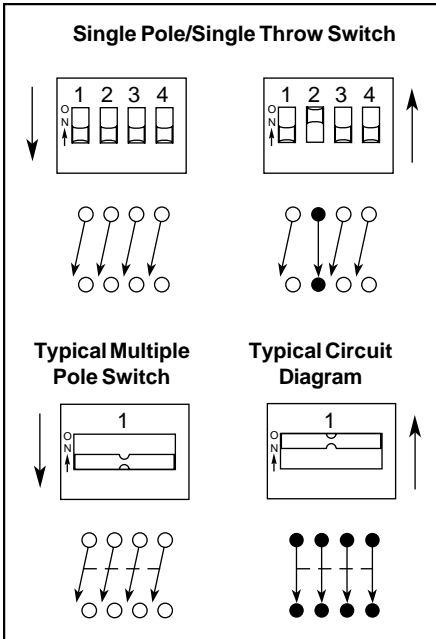
- Raised and Recessed Slides
- SPST, 2PST, 3PST, 4PST
- Sealed Base Standard
- Spring and Ball Contact
- Top Tape Seal Option



DIMENSIONS In inches (and millimeters)



CIRCUITRY



For switches with 5, 6, 7, 8, or 10PST circuitry, contact Grayhill.

*A top tape seal is required for switches that are machine soldered or heavily cleaned after hand soldering. To order top seal versions, add "S" to the Grayhill part number.

ORDERING INFORMATION

| Circuitry | No. of Positions | Length Inches | Length Metric | No./ Tube | Raised Slides* | Recessed Slides* | |
|-----------|------------------|---------------|---------------|-----------|----------------|-------------------------------|-------------------------------|
| SPST | 2 | 0.280" | 7,1mm | 35 | 78B02 | 78RB02 | |
| | 3 | 0.380" | 9,7mm | 27 | 78B03 | 78RB03 | |
| | 4 | 0.480" | 12,2mm | 21 | 78B04 | 78RB04 | |
| | 5 | 0.580" | 14,7mm | 18 | 78B05 | 78RB05 | |
| | 6 | 0.680" | 17,3mm | 15 | 78B06 | 78RB06 | |
| | 7 | 0.780" | 19,8mm | 13 | 78B07 | 78RB07 | |
| | 8 | 0.880" | 22,4mm | 12 | 78B08 | 78RB08 | |
| | 9 | 0.980" | 24,9mm | 10 | 78B09 | 78RB09 | |
| | 10 | 1.080" | 27,4mm | 9 | 78B10 | 78RB10 | |
| | 12 | 1.280" | 32,5mm | 8 | 78B12 | 78RB12 | |
| | 2PST | 1 | 0.280" | 7,1mm | 35 | 78F01 | Recessed Slides Not Available |
| | | 2 | 0.480" | 12,2mm | 21 | 78F02 | |
| 3 | | 0.680" | 17,3mm | 15 | 78F03 | | |
| 4 | | 0.880" | 22,4mm | 12 | 78F04 | | |
| 5 | | 1.080" | 27,4mm | 9 | 78F05 | | |
| 6 | | 1.280" | 32,5mm | 8 | 78F06 | | |
| 3PST | 1 | 0.380" | 9,7mm | 27 | 78G01 | Recessed Slides Not Available | |
| | 2 | 0.680" | 17,3mm | 15 | 78G02 | | |
| | 3 | 0.980" | 24,9mm | 10 | 78G03 | | |
| 4PST | 1 | 0.480" | 12,2mm | 21 | 78H01 | Recessed Slides Not Available | |
| | 2 | 0.880" | 22,4mm | 12 | 78H02 | | |

ADDITIONAL INFORMATION

For Specifications see page B-14.
For other Options and Accessories, see page B-20.

Available from your local Grayhill Distributor.
For prices and discounts, contact a local Sales Office, an authorized local Distributor or Grayhill.