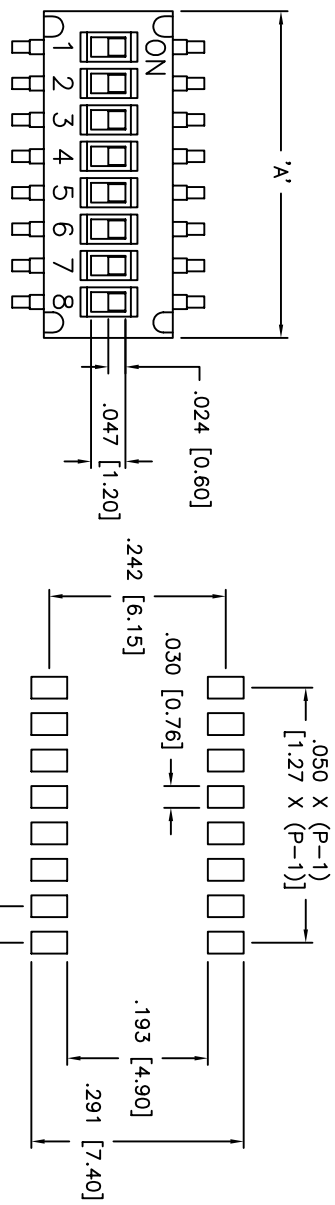
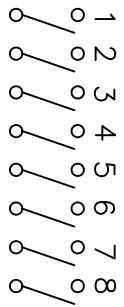
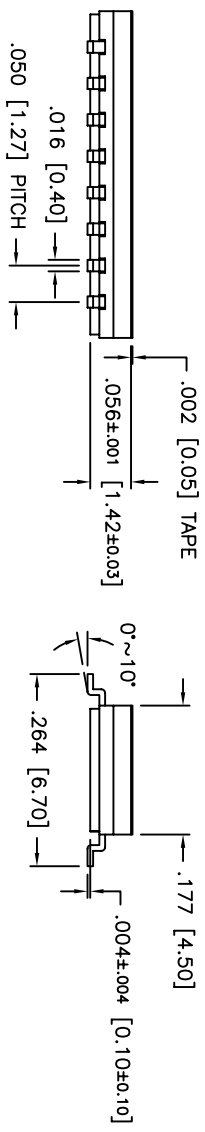


THIS DOCUMENT IS THE PROPERTY OF APDM COMPONENTS AND SHALL NOT BE COPIED, REPRODUCED, DISCLOSED OR USED AS THE BASIS FOR MANUFACTURING OR SALE WITHOUT PERMISSION OF A DULY AUTHORIZED REPRESENTATIVE OF APDM COMPONENTS INC.



P.C. LAYOUT  
UNLESS OTHERWISE SPECIFIED  
P.C. TOLERANCES ARE ±.002 [0.05]



CIRCUIT DIAGRAM

MODEL NUMBER	NO. OF POSITIONS	DIMENSION 'A'
NHDS02	2	.148 [3.77]
NHDS04	4	.248 [6.31]
NHDS06	6	.348 [8.85]
NHDS08	8	.448 [11.39]
NHDS10	10	.548 [13.93]

PROD. NO.: NHDS\*\*\*\*\*  
 PROD. SERIES: \_\_\_\_\_  
 NUMBER OF POSITIONS: \_\_\_\_\_  
 PAKAGING: □ = TUBE  
 T/R = TAPE & REEL  
 SEALING: □ = REGULAR  
 T = TOP TAPE SEAL  
 PLATING: □ = IN ON POSITION  
 F = IN OFF POSITION  
 □ = 3u" GOLD MIN  
 A = 10u" GOLD MIN.

DESCRIPTION: SURFACE MOUNT DIP SWITCH  
 WITH TAPE SEAL OPTION.  
 SPECIFICATIONS:

SWITCHING RATING: 25mA, 24VDC.  
 NON-SWITCHING RATING: 100mA, 50VDC.  
 CONTACT RESISTANCE: 100 MOHMS MAX  
 DIELECTRIC STRENGTH: 300VAC for 1 MINUTE.  
 INSULATION RESISTANCE: 100MOHMS MIN. AT 500VDC  
 CAPACITANCE: 5PF MAX.  
 OPERATING FORCE: 500 gf MAX.  
 STROKE: 0.6mm  
 OPERATING TEMP: -40° to 85° C.  
 STORAGE TEMP: -40° to 85° C.  
 ELECTRICAL LIFE: 1,000 CYCLES.  
 MECHANICAL LIFE: 1,000 OPERATIONS.  
 CIRCUIT: 1 POLE 1 THROW.  
 VIBRATION TEST: PASSES METHOD 201A. MIL-STD-202F.  
 SHOCK TEST: 50g PER METHOD 213B. MIL-STD-202F.  
 MATERIALS:  
 BASE & COVER: UL94V-0 NYLON THERMOPLASTIC  
 COLOR, BLACK  
 ACTUATOR: LCP THERMOPLASTIC.  
 COLOR, WHITE  
 CONTACT: COPPER ALLOY WITH GOLD PLATING OVER NICKEL  
 TERMINAL: BRASS WITH GOLD PLATING  
 TAPE: KAPTON  
 SOLDERING:  
 VAPOR PHASE & IR REFLOW CAN BE APPLIED.  
 240C MAX.

DATE	SYM	REVISION RECORD	DWN.	CK.
10/05	A	ECO# 484	CD	

<b>QA INSPECT:</b> DESIGNS: CRITICAL DIMENSION TOLERANCES (UNLESS AS NOTED) .XX±.XX [0.05] .XXX±.XXX [0.20] .XXXX±.XXXX [0.02] ANGLE = 30.5°		63 Neck Rd. Haverhill, MA 01830 Telephone: 978-372-5554 Fax: 978-372-5554		DRN. PJD BR. _____ OR. _____
TITLE NHDS**	SHEET 1 OF 1	SIZE B	SCALE B:1	THIRD ANGLE PROJECTION 
DO NOT SCALE DATE 12/28/04	DRAWING NO. B7627	REV A		