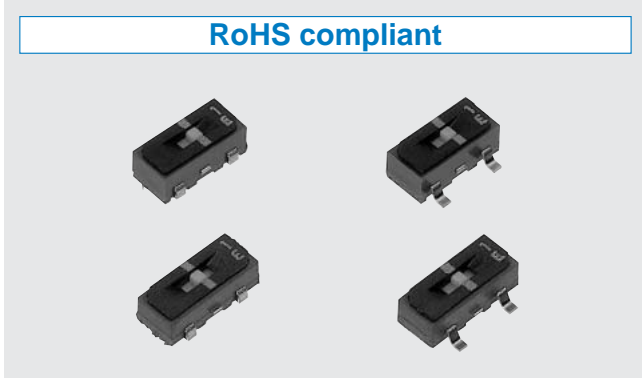
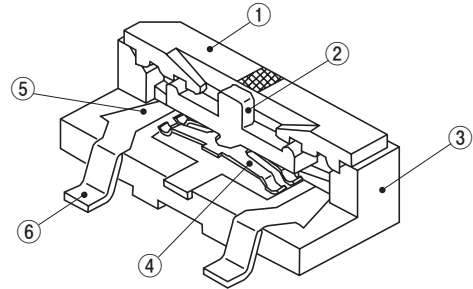


SLIDE SWITCHES (SMD)

RoHS compliant



INTERNAL STRUCTURE

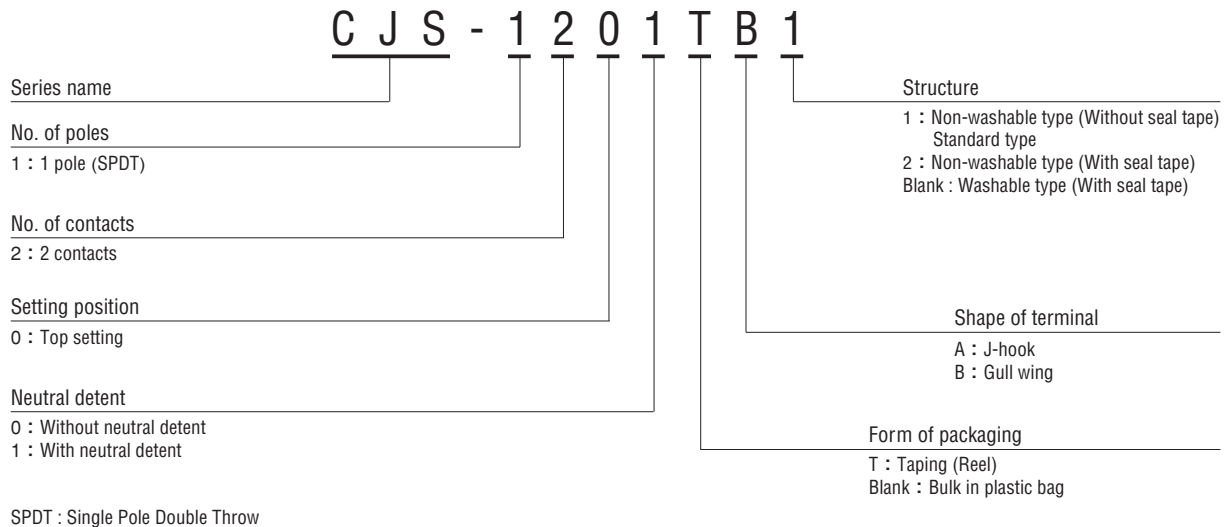


| Part name        | Material                   | Flammability |
|------------------|----------------------------|--------------|
| ① Cover          | PPS(Polyphenylenesulphide) | UL-94V-0     |
| ② Slider         | PA(Polyamide)              |              |
| ③ Housing        | PPS(Polyphenylenesulphide) |              |
| ④ Slider contact | Copper alloy, Gold-plated  | —            |
| ⑤ Fixed contact  |                            |              |
| ⑥ Terminal pin   |                            |              |

FEATURES

- RoHS compliant
- Easy to set slider with line marking
- With neutral detent type lined up to 1 pole 2contacts switch
- Compatible with most automatic pick & place machinery
- Compact and space saving SMD type

PART NUMBER DESIGNATION



※Please refer to the LIST OF PART NUMBERS when placing orders.

**LIST OF PART NUMBERS**

| No. of poles | No. of contacts | Setting position | Neutral detent         | Form of packaging | Non-washable type (Without seal tape) |               | Non-washable type (With seal tape) |               | Pieces in package |
|--------------|-----------------|------------------|------------------------|-------------------|---------------------------------------|---------------|------------------------------------|---------------|-------------------|
|              |                 |                  |                        |                   | A (J-hook)                            | B (Gull wing) | A (J-hook)                         | B (Gull wing) |                   |
| 1            | 2               | Top setting      | Without neutral detent | Taping            | CJS-1200TA1                           | CJS-1200TB1   | CJS-1200TA2                        | CJS-1200TB2   | 1000pcs./reel     |
|              |                 |                  |                        | Plastic bag       | CJS-1200A1                            | CJS-1200B1    | CJS-1200A2                         | CJS-1200B2    | 100pcs./pack      |
|              |                 |                  | With neutral detent    | Taping            | CJS-1201TA1                           | CJS-1201TB1   | CJS-1201TA2                        | CJS-1201TB2   | 1000pcs./reel     |
|              |                 |                  |                        | Plastic bag       | CJS-1201A1                            | CJS-1201B1    | CJS-1201A2                         | CJS-1201B2    | 100pcs./pack      |

| No. of poles | No. of contacts | Setting position | Neutral detent         | Form of packaging | Washable type (With seal tape) |               | Pieces in package |
|--------------|-----------------|------------------|------------------------|-------------------|--------------------------------|---------------|-------------------|
|              |                 |                  |                        |                   | A (J-hook)                     | B (Gull wing) |                   |
| 1            | 2               | Top setting      | Without neutral detent | Taping            | CJS-1200TA                     | CJS-1200TB    | 1000pcs./reel     |
|              |                 |                  |                        | Plastic bag       | CJS-1200A                      | CJS-1200B     | 100pcs./pack      |
|              |                 |                  | With neutral detent    | Taping            | CJS-1201TA                     | CJS-1201TB    | 1000pcs./reel     |
|              |                 |                  |                        | Plastic bag       | CJS-1201A                      | CJS-1201B     | 100pcs./pack      |

※ Verify the above part numbers when placing orders.  
Taping version can be supplied only in reel unit.

**STANDARD SPECIFICATIONS**

|                       |  |
|-----------------------|--|
| Operating temp. range | - 40 ~ 85 °C   |
| Storage temp. range   |  |
| Sealing               | Washable type available with seal tape               |
| Net weight            | Approx. 0.05g (CJS-1200)<br>Approx. 0.06g (CJS-1201) |

**ELECTRICAL CHARACTERISTICS**

|   |  |
|---|--|
| Contact rating<br>Non-switching<br>Switching<br>Minimum | DC50 V 100 mA<br>DC6 V, 100 mA DC24 V, 25 mA<br>DC20 mV 1 μA |
| Contact resistance                                      | 100 mΩ maximum   |
| Insulation resistance                                   | 100 MΩ (DC100 V) minimum                                     |
| Dielectric strength                                     | AC250 V, 60 s  |

**MECHANICAL CHARACTERISTICS**

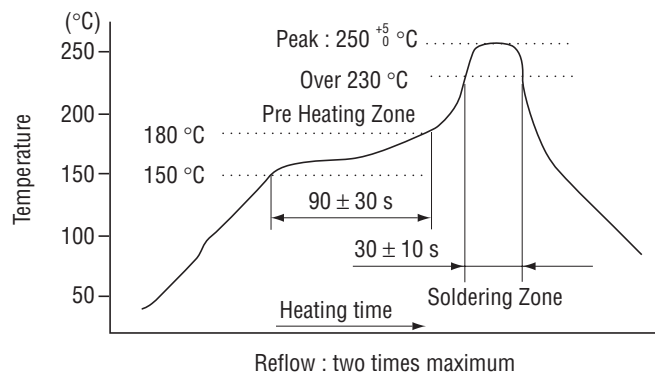
|                   |   |
|-------------------|---|
| Operating force   | 5.9 N {0.6 kgf} maximum   |
| Stop strength     | 10 N {1.02 kgf}, 60 s   |
| Solderability     | 245 ± 3 °C, 2 ~ 3 s   |
| Soldering heat    | Reflow : 255 °C (Peak temperature)<br>(Please refer to the profile below) |
|                   | Manual soldering : 350 ± 10 °C, 3 ~ 4 s                                   |
| Shear (Adhesion)  | 5 N {0.51 kgf} 10 s   |
| Substrate bending | Width 90 mm, bend 3 mm, 5 s, 1 time                                       |
| Pull-off strength | 5 N {0.51 kgf} 10 s   |

**ENVIRONMENTAL CHARACTERISTICS**

|                     |  |
|---------------------|--|
| Vibration           | Amplitude 1.5mm or Acceleration 98m/s <sup>2</sup> ,<br>10-500 Hz, 3 directions for 10 cycles each |
| Shock               | 490 m/s <sup>2</sup> , 11 ms<br>6 directions for 3 times each                                      |
| Load life           | Continuous load 200 cycles,<br>DC6 ± 0.5 V, 100 ± 10 mA  |
| Humidity            | -10 ~ 65 °C, Relative humidity 0 ~ 96 %,<br>24 h for 10 cycles                                     |
| High temp. exposure | 85 °C, 96 h  |
| Low temp. exposure  | -40 °C, 96 h   |
| Thermal shock       | -40 (0.5 h) ~ 85 °C (0.5 h), 5 cycles  |

{ } : Reference only

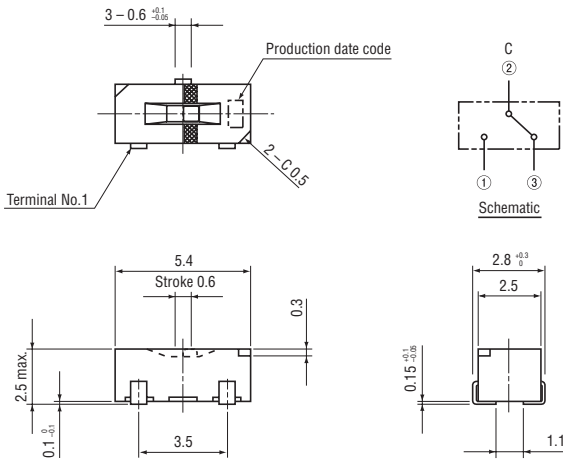
**<Reflow profile for soldering heat evaluation>**



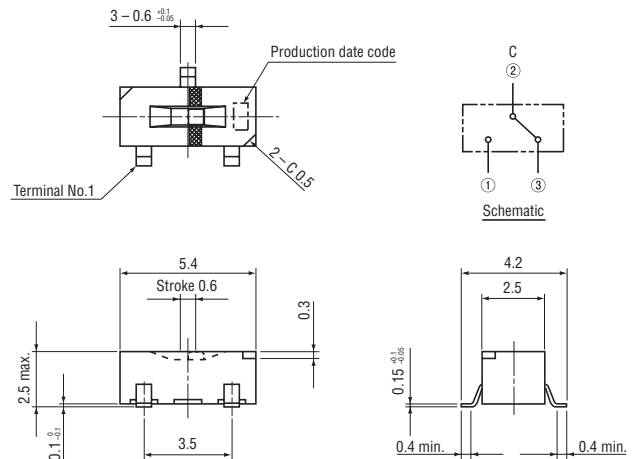
### OUTLINE DIMENSIONS

Unless otherwise specified, tolerance :  $\pm 0.3$  (Unit : mm)

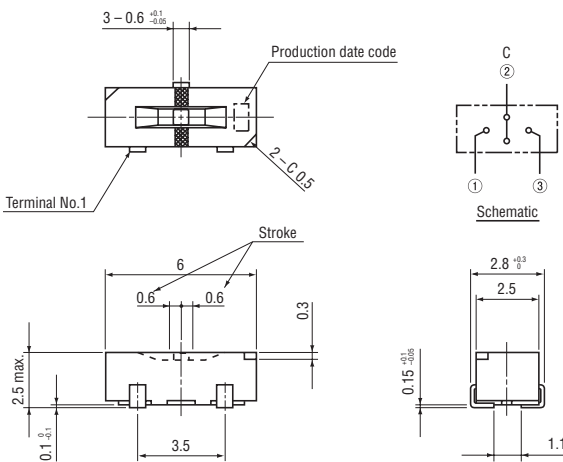
#### ● CJS-1200A1



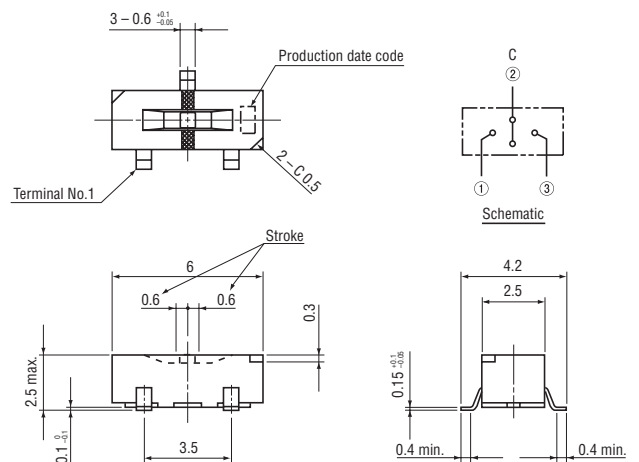
#### ● CJS-1200B1



#### ● CJS-1201A1

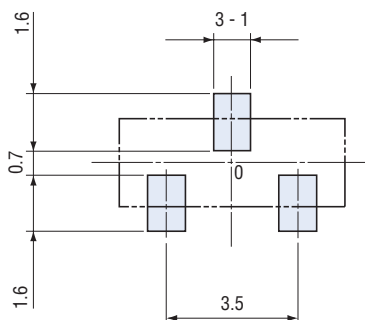


#### ● CJS-1201B1

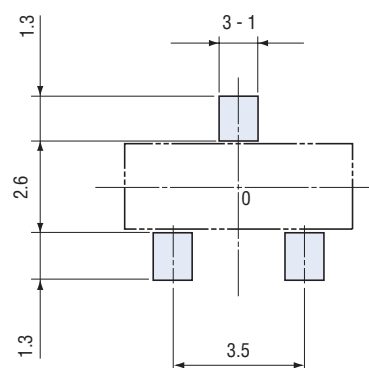


### RECOMMENDED P.C.B. PAD OUTLINE DIMENSIONS

#### A type



#### B type



(Unit : mm)

Note) The zero point is the center of mounting.

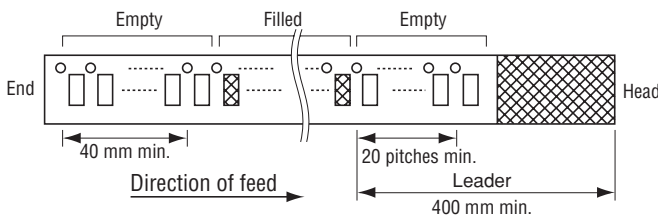
**PACKAGING SPECIFICATIONS**

**<Taping packaging specifications>**

- Taping version is packaged in 1000 pcs. per reel.  
Orders will be accepted for units of 1000 pcs., i.e., 1000, 2000, 3000 pcs., etc.
- Taping version is boxed with two reels (2000 pcs.).

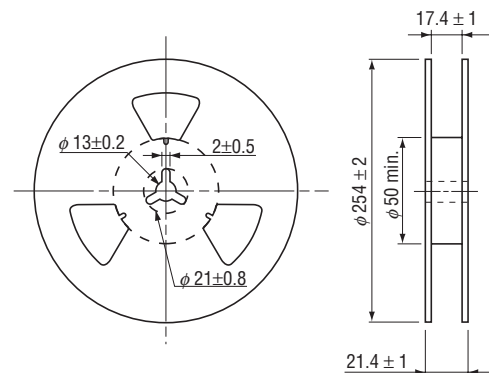
Maximum number of consecutive missing pieces=2  
Leader length and reel dimension are shown in the diagrams below:

**● Embossed tape dimensions**



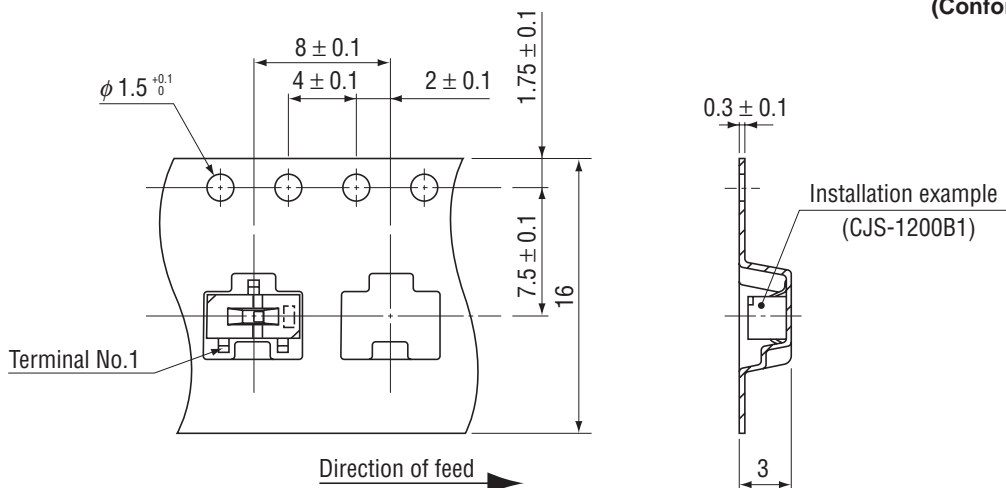
**● Reel dimensions**

(Unit: mm)  
(Conforms to JIS C 0806)



**● CJS-1200TA□, 1200TB□, 1201TA□, 1201TB□**

(Unit: mm)  
(Conforms to JIS C 0806)



**<Bulk pack specifications>**

- Boxing of bulk pack in a plastic bag is performed with 100 pcs. (standard 500 pcs.) per box.