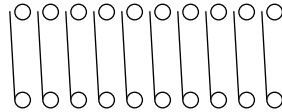


DIP Switches, Rocker Style Actuator

**Single Pole
Single Throw**

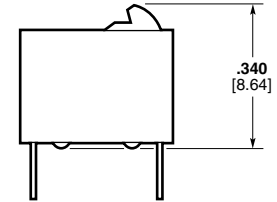
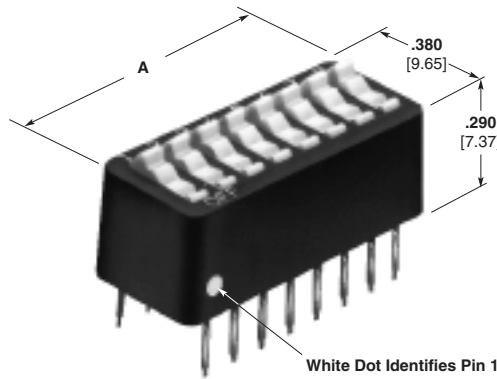
Contact Lead Spacing —
.100 x .300 [2.54 x 7.62]
Lead Length — .140 [3.56]
below mounting surface

Contact Arrangement



Pin 1

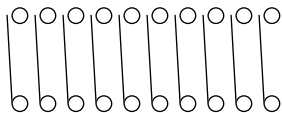
Note: Switches shown in open position.



**Single Pole
Single Throw
Low Profile**

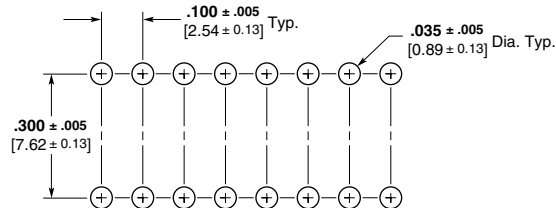
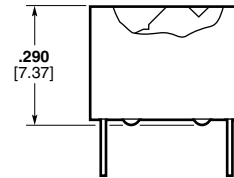
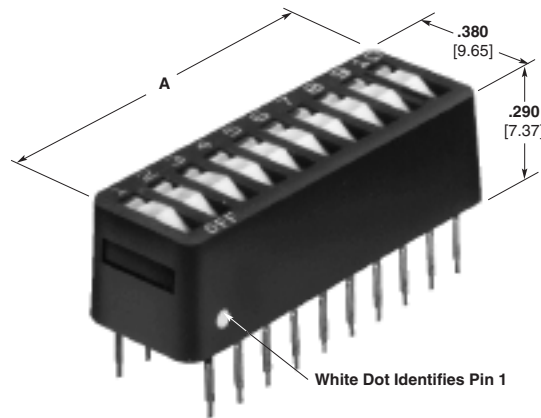
Contact Lead Spacing —
.100 x .300 [2.54 x 7.62]
Lead Length — .140 [3.56]
below mounting surface

Contact Arrangement



Pin 1

Note: Switches shown in open position.



Recommended PC Board Hole Pattern

| No. of Switches | Dim. A | | SPST Standard Profile | | SPST Low Profile | |
|-----------------|--------|-------|--------------------------------|-----------------|--------------------------------|----------------------|
| | inch | mm | Unsealed ¹ Part No. | Sealed Part No. | Unsealed ¹ Part No. | Tape Sealed Part No. |
| 2 | .280 | 7.11 | 2-435640-9 | — | 435668-1 | 2-435668-6 |
| 3 | .380 | 9.65 | 3-435640-0 | — | — | 3-435668-3 |
| 4 | .480 | 12.19 | 435640-2 | 3-435640-5 | 435668-3 | 3-435668-4 |
| 5 | .580 | 14.73 | 435640-3 | 3-435640-6 | 435668-4 | 3-435668-5 |
| 6 | .680 | 17.27 | 435640-4 | 3-435640-7 | 435668-5 | 2-435668-5 |
| 7 | .780 | 19.81 | 435640-1 | 3-435640-8 | — | 2-435668-7 |
| 8 | .880 | 22.35 | 435640-5 | 3-435640-9 | 435668-7 | 2-435668-8 |
| 9 | .980 | 24.89 | 435640-6 | 4-435640-0 | — | 2-435668-9 |
| 10 | 1.080 | 27.43 | 435640-7 | 4-435640-1 | 435668-9 | 3-435668-0 |
| 11 | 1.180 | 29.97 | — | — | — | 3-435668-1 |
| 12 | 1.280 | 32.51 | 3-435640-2 | 4-435640-3 | — | 3-435668-2 |

¹ All switches are bottom sealed.