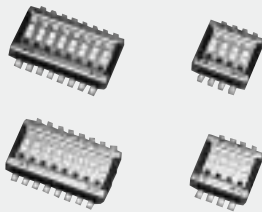


# CVS

## SLIDE SWITCHES (1 mm PITCH)

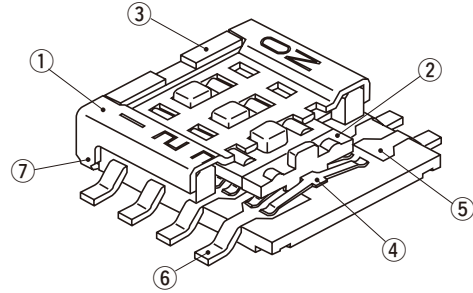
RoHS compatible



### FEATURES

- Lead-free soldering
- Lowest profile design of 1.45 mm
- Fine pitch of 1 mm
- Easy motion with knob height of 0.2 mm

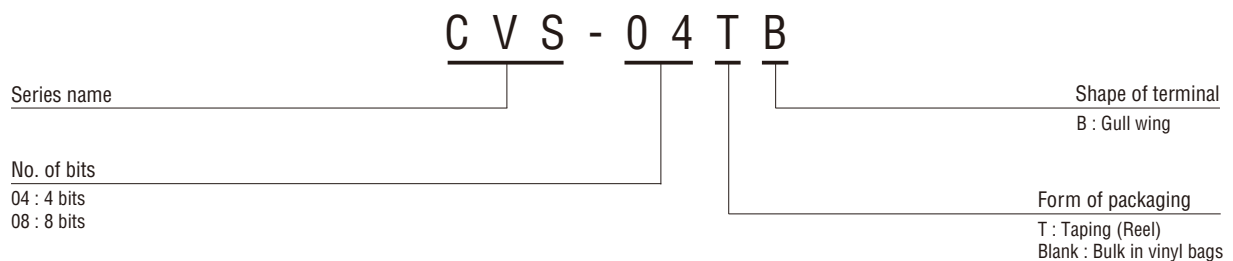
### INTERNAL STRUCTURE



Part name	Material	Flammability
① Cover	Stainless steel, Gold-plated	—
② Slider	PA (Polyamide)	UL-94V-0
③ Housing	PPS (Polyphenylenesulphide)	
④ Slider contact	Stainless steel, Gold-plated	—
⑤ Fixed contact	Copper alloy, Gold-plated	
⑥ Terminal pin		
⑦ Earth terminal	Stainless steel, Gold-plated	

CFCs, Halon, Carbon tetrachloride and designated bromic flame retardant PBBOs and PBBs are not used in our products.

### PART NUMBER DESIGNATION



### LIST OF PART NUMBERS

No. of bits	Form of packaging	Shape of terminals	B (Gull wing)	Pieces in package
4	Taping		CVS-04TB	2000 pcs./reel
	Vinyl pack		CVS-04B	100 pcs./pack
8	Taping		CVS-08TB	2000 pcs./reel
	Vinyl pack		CVS-08B	100 pcs./pack

**STANDARD SPECIFICATIONS**

Operating temp. range	- 40 ~ 85 °C
Storage temp. range	
Sealing	Non-washable
Net weight	Approx. 0.067g (CVS-04B) Approx. 0.13 g (CVS-08B)

**ELECTRICAL CHARACTERISTICS**

Contact rating Non-switching Switching Minimum	DC50 V 100 mA DC6 V, 100 mA DC24 V, 25 mA DC20 mV 1 μA
Contact resistance	200 mΩ maximum
Insulation resistance	100 MΩ (DC100 V) minimum
Dielectric strength	AC250 V, 60 s

**MECHANICAL CHARACTERISTICS**

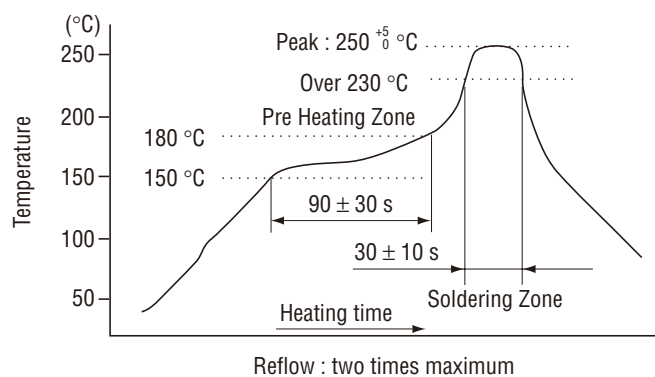
Operating force	3 N {0.306 kgf} maximum
Stop strength	6 N {0.61 kgf}, 60 s
Solderability	245 ± 3 °C, 2 ~ 3 s
Soldering heat	Reflow : 255 °C (Peak temperature) Please refer to the profile below
	Manual soldering : 350 ± 10 °C, 3 ~ 4 s
Shear (Adhesion)	5 N {0.51 kgf} 10 s
Substrate bending	Width 90 mm, bend 3 mm, 5 s, 1 time
Pull-off strength	5 N {0.51 kgf} 10 s

**ENVIRONMENTAL CHARACTERISTICS**

Vibration	Amplitude 1.5 mm (P-P) or Acceleration 98 m/s <sup>2</sup> , 10-500 Hz, 3 directions for 10 cycles each
Shock	490 m/s <sup>2</sup> , 11 ms 6 directions for 3 times each
Load life	Continuous load 1000 cycles, DC6 ± 0.5 V, 100 ± 10 mA
Humidity	-10 ~ 65 °C, Relative humidity 0 ~ 96 %, 24 h for 10 cycles
High temp. exposure	85 °C, 96 h
Low temp. exposure	-40 °C, 96 h
Thermal shock	-40 (0.5 h) ~ 85 °C (0.5 h), 5 cycles

{ } : Reference only

**Reflow profile for soldering heat evaluation**

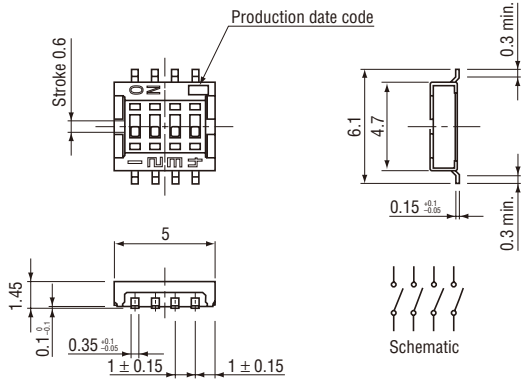


### SLIDE SWITCHES (1 mm PITCH)

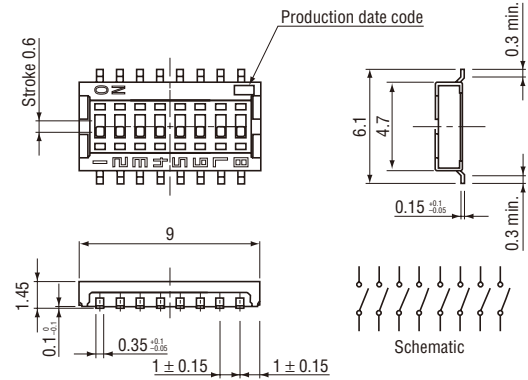
#### OUTLINE DIMENSIONS

Unless otherwise specified, tolerance :  $\pm 0.3$  (Unit : mm)

##### ● CVS-04B



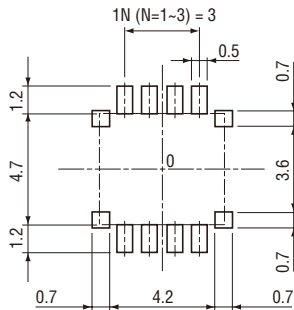
##### ● CVS-08B



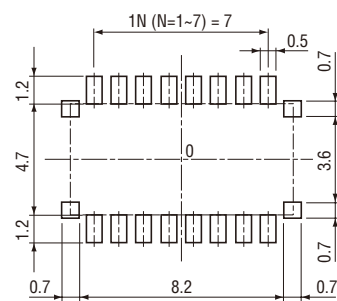
#### RECOMMENDED P.C.B. PAD OUTLINE DIMENSIONS

(Unit : mm)

##### ● CVS-04B



##### ● CVS-08B



## PACKAGING SPECIFICATIONS

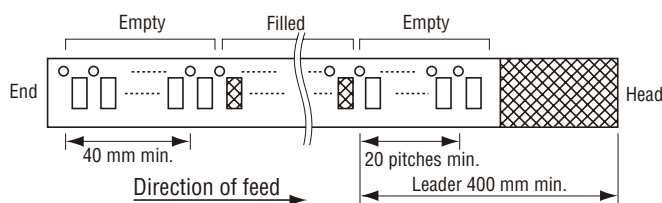
### <Taping packaging specifications>

- Taping version is packaged in 2000 pcs. per reel. Orders will be accepted for units of 2000 pcs., i.e., 2000, 4000, 6000 pcs., etc.
- Taping version is boxed with two reels.

Maximum number of consecutive missing pieces = 2

Leader length and reel dimension are shown in the diagrams below:

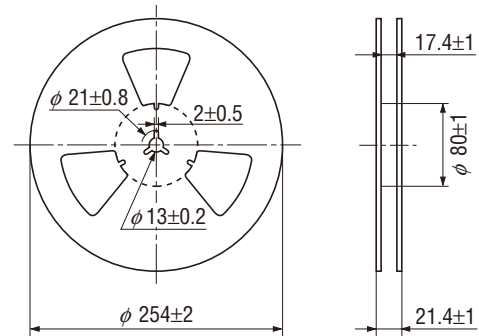
### ● Embossed tape dimensions



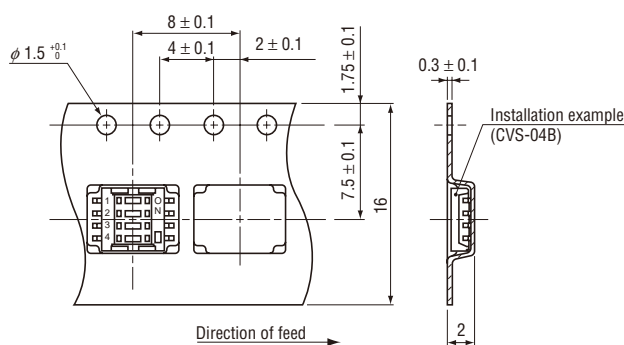
### ● Reel dimensions

(Unit: mm)

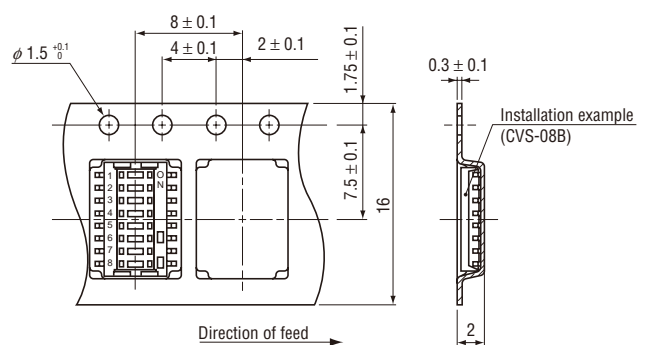
(Conforms to JIS C 0806-3)  
(In accordance with EIAJ ET-7200A)



### ● CVS-04B



### ● CVS-08B



### <Vinyl pack packaging specifications>

- The smallest unit of bulk in vinyl bag is 10 pcs. per pack. Orders will be accepted for unit of minimum 10 pcs., i.e., 10, 20, 30 pcs., etc.
- Boxing of bulk in vinyl bags is performed with 100 pcs. (standard 500 pcs.) per box.