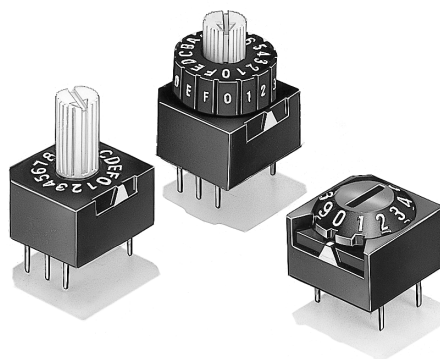




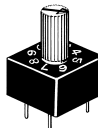

Sealed Rotary DIP Switch A6A

Subminiature DIP Switch for High-Density Packaging

- Series includes a Cone type that can be operated from the top or side, an extended shaft type that can be operated while mounted on a panel, and a flat type.
- A slider lock and rotating PCB system achieve stable contact reliability.
- Sealed construction equivalent to IP64 (IEC 60529) prevents flux penetration and provides high contact reliability even in dusty locations and locations where water is used
- RoHS Compliant



Ordering Information

		Part Numbers			
		Standard (Cone)	Flat	Extended shaft	Thumbwheel
Output code	No. of positions				
BCD 1-2-4-8	10	A6A-10R	A6A-10RF	A6A-10RS	A6A-10RW
BCD 1-2-4-8 complement		A6A-10C	A6A-10CF	A6A-10CS	A6A-10CW
BCD Hexadecimal 1-2-4-8	16	A6A-16R	A6A-16RF	A6A-16RS	A6A-16RW
BCD Hexadecimal 1-2-4-8 complement		A6A-16C	A6A-16CF	A6A-16CS	A6A-16CW

Important Note: Switches cannot be water-washed.

Specifications

■ Characteristics

Switching capacity		100 mA at 28 VDC, 1 mA at 5 VDC (minimum load)
Contact resistance		200 MΩ max.
Insulation resistance		10 MΩ min. (at 250 VDC)
Dielectric strength		500 VAC for 1 minute between current-carrying metal part and ground 250 VAC for 1 minute between terminals
Operating torque		120 to 250 g-cm (1.18 to 2.45 x 10 ⁻² N-m) max.
Vibration resistance	Malfunction durability	10 to 55 Hz, 1.5 mm double amplitude
Shock resistance	Malfunction durability	300 m/s ² (30 G) min.
Ambient operating temperature		-10° to 70°C at 60% RH max. (with no icing or condensation)
Ambient operating humidity		45% to 85% RH (at 5 to 35°C)
Service life	Mechanical	10,000 detent operations min.
	Electrical	2,000 detent operations min.
Weight		Cone: Approx. 0.8 g Flat: Approx. 0.7 g Extended shaft: Approx. 0.8g Thumbwheel: Approx. 1.0g

Note: Data shown are of initial value.

Output Codes

10-position Models

Type	BCD 1-2-4-8				BCD 1-2-4-8 complement			
	1	2	4	8	$\bar{1}$	$\bar{2}$	$\bar{4}$	$\bar{8}$
0					●	●	●	●
1	●					●	●	●
2		●			●		●	●
3	●	●					●	●
4			●		●	●		●
5	●		●			●		●
6		●	●		●			●
7	●	●	●					●
8				●	●	●	●	
9	●			●		●	●	

Note: "●" indicates that the internal switch is ON.

16-position Models

Type	BCD/hexadecimal 1-2-4-8				BCD/hexadecimal 1-2-4-8 complement			
	1	2	4	8	$\bar{1}$	$\bar{2}$	$\bar{4}$	$\bar{8}$
0					●	●	●	●
1	●					●	●	●
2		●			●		●	●
3	●	●					●	●
4			●		●	●		●
5	●		●			●		●
6		●	●		●			●
7	●	●	●					●
8				●	●	●	●	
9	●			●		●	●	
A		●		●	●			●
B	●	●		●				●
C			●	●	●	●		
D	●		●	●		●		
E		●	●	●	●			
F	●	●	●	●				

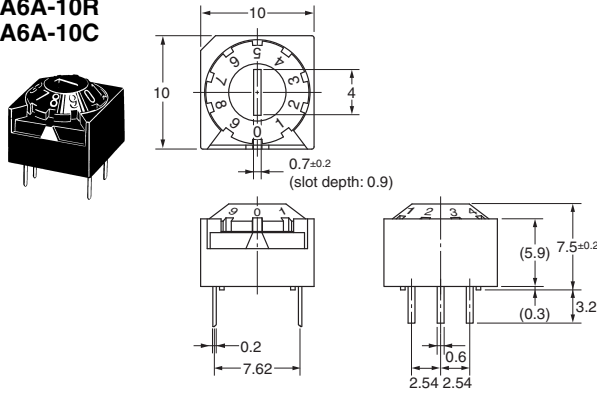
Note: "●" indicates that the internal switch is ON.

Dimensions

- Note: 1. All units are in millimeters unless otherwise indicated.
- 2. Unless otherwise specified, a tolerance of ± 0.4 mm applies to all dimensions.

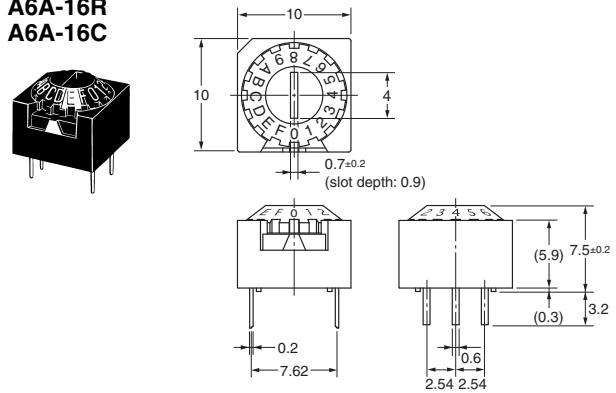
Standard (Cone) Type, 10 Positions

A6A-10R
A6A-10C



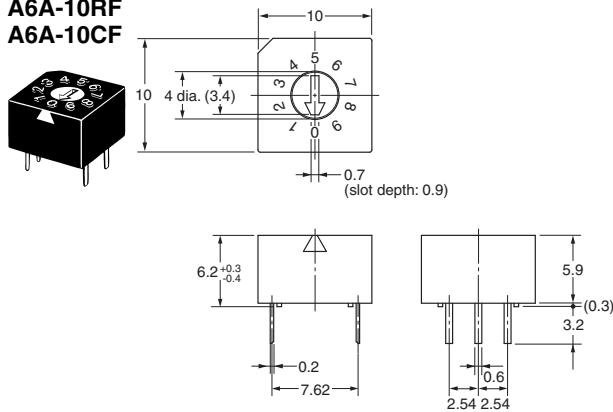
Standard (Cone) Type, 16 Positions

A6A-16R
A6A-16C



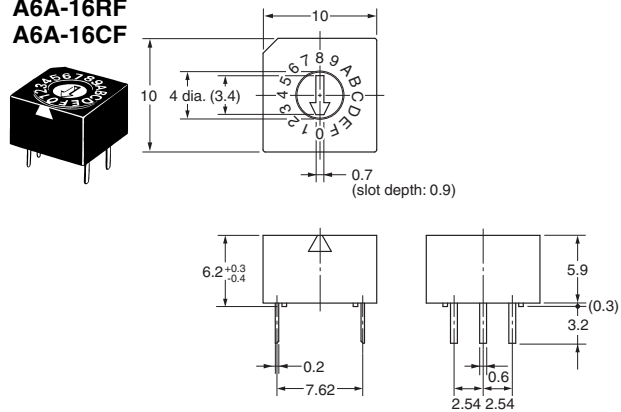
Flat Type, 10 Positions

A6A-10RF
A6A-10CF



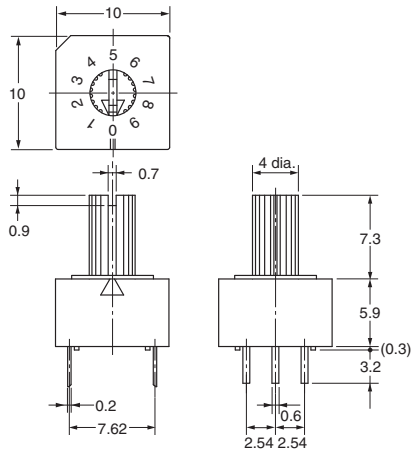
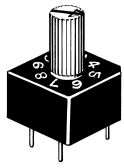
Flat Type, 16 Positions

A6A-16RF
A6A-16CF



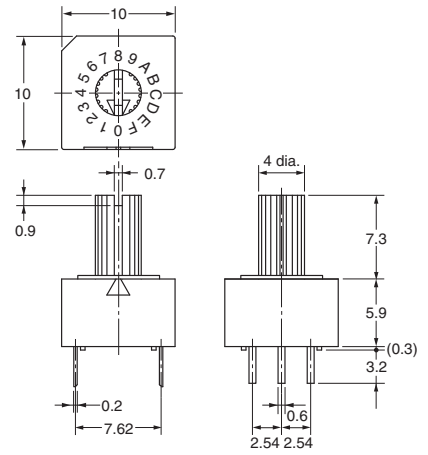
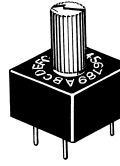
Extended Shaft Type, 10 Positions

A6A-10RS
A6A-10CS



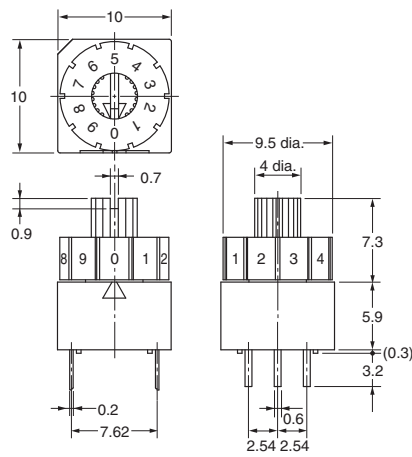
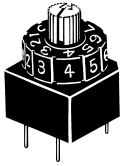
Extended Shaft Type, 16 Positions

A6A-16RS
A6A-16CS



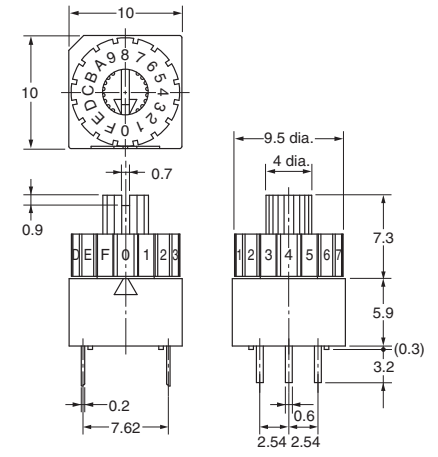
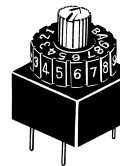
Thumbwheel Type, 10 Positions

A6A-10RW
A6A-10CW

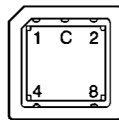


Thumbwheel Type, 16 Positions

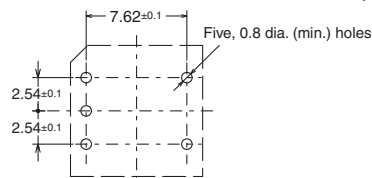
A6A-16RW
A6A-16CW



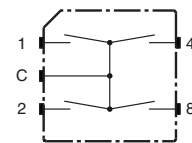
Terminal arrangement
(bottom view)



Mounting holes
(Top view)



Internal connections
(top view)



All sales are subject to Omron Electronic Components LLC standard terms and conditions of sale, which can be found at http://www.components.omron.com/components/web/webfiles.nsf/sales_terms.html

ALL DIMENSIONS SHOWN ARE IN MILLIMETERS.
To convert millimeters into inches, multiply by 0.03937. To convert grams into ounces, multiply by 0.03527.

OMRON[®]

**OMRON ELECTRONIC
COMPONENTS LLC**

55 E. Commerce Drive, Suite B
Schaumburg, IL 60173

847-882-2288

OMRON ON-LINE

Global - <http://www.omron.com>

USA - <http://www.components.omron.com>

Cat. No. X303-E-1

11/10

Specifications subject to change without notice

Printed in USA

Sealed Rotary DIP Switch **A6A**