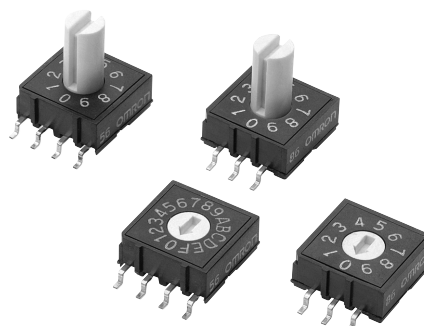


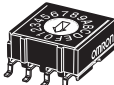
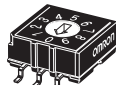
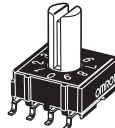
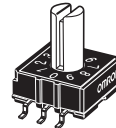
Surface-mounting Rotary DIP A6RS

Surface-mounting Rotary DIP Switches

- Temperature-resistant resin allows use in peak reflow temperatures of 260°C.
- Series includes flat and extended-shaft models.
- Two different types of terminal arrangement are available to allow flexibility in the circuit design.
- RoHS Compliant.



Ordering Information

Output code	Number of positions	Terminal arrangement	Top-actuated, flat		Top-actuated, extended shaft					
			Tube packaging	Embossed tape packaging	Tube packaging	Embossed tape packaging				
										
			Quantity per tube	Quantity per reel	Quantity per tube	Quantity per reel				
BCD 1-2-4-8	10	4 × 1	A6RS-101RF	48	A6RS-101RF-P	750	A6RS-101RS	48	A6RS-101RS-P	250
		3 × 3	A6RS-102RF		A6RS-102RF-P		A6RS-102RS		A6RS-102RS-P	
BCD Hexadecimal 1-2-4-8	16	4 × 1	A6RS-161RF	48	A6RS-161RF-P	750	A6RS-161RS	48	A6RS-161RS-P	250
		3 × 3	A6RS-162RF		A6RS-162RF-P		A6RS-162RS		A6RS-162RS-P	

Note: Order in multiples of the quantities given for each package (tube: 48, embossed taping: 250 or 750).

Specifications

■ Ratings/Characteristics

Switching Capacity	25 mA at 24 VDC
Min. Permissible Load	10 μA at 3.5 VDC
Contact resistance	200 mΩ max.
Insulation resistance	100 MΩ min. (at 250 VDC)
Dielectric strength	250 VAC for 1 minute between terminals
Operating torque	200 g-cm max. (1.96 × 10 ⁻² N-m max.)
Vibration resistance	Malfunction: 10 to 55 Hz, 1.5-mm double amplitude
Shock resistance	Malfunction: 300 m/s ² (30G) min.
Ambient operating temperature	-25 to 80°C at 60% RH max. (with no icing or condensation)
Ambient operating humidity	35% to 95% (at 5 to 35°C)
Electrical service life	5,000 steps min.
Weight (See note 2)	Top-actuated: Approx. 0.6 g

- Note:
1. Data shown are of initial value.
 2. Add 0.13 g for the extended-shaft version of each model
 3. Switches cannot be water washed

■ Output Codes

10-position Models

Type	BCD 1-2-4-8			
	Terminal No. Position	1	2	4
0				
1		●		
2			●	
3		●	●	
4				●
5		●		●
6			●	●
7		●	●	●
8				●
9		●		●

16-position Models

Type	BCD/hexadecimal 1-2-4-8			
	Terminal No. Position	1	2	4
0				
1		●		
2			●	
3		●	●	
4				●
5		●		●
6			●	●
7		●	●	●
8				●
9		●		●
A			●	●
B		●	●	●
C			●	●
D		●		●
E			●	●
F		●	●	●

Note: "●" indicates that the internal switch is ON.

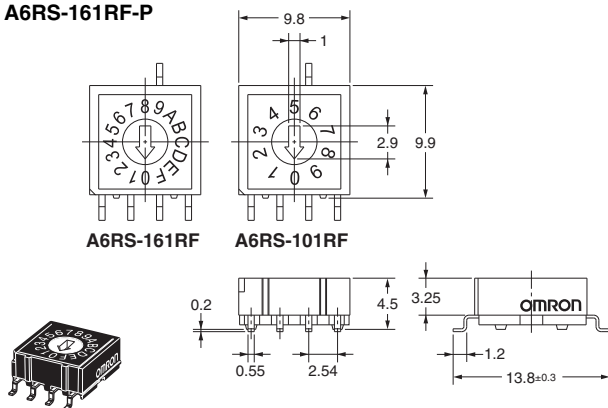
Dimensions

Note: 1. All units are in millimeters unless otherwise indicated.

2. A tolerance of ± 0.4 mm applies to the above dimensions unless otherwise specified.

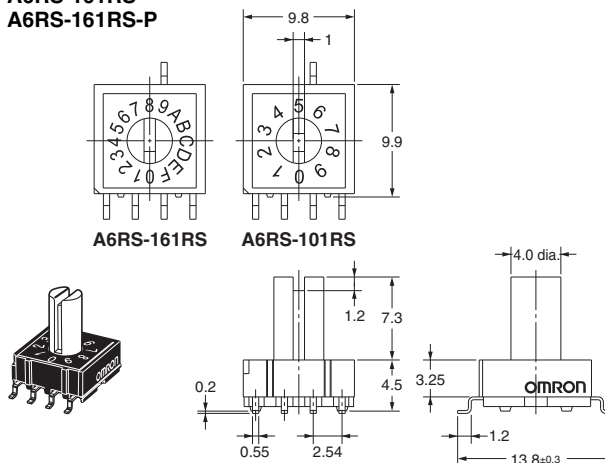
Top-actuated Flat Models with 4x1 Terminal Arrangement

A6RS-101RF
A6RS-101RF-P
A6RS-161RF
A6RS-161RF-P



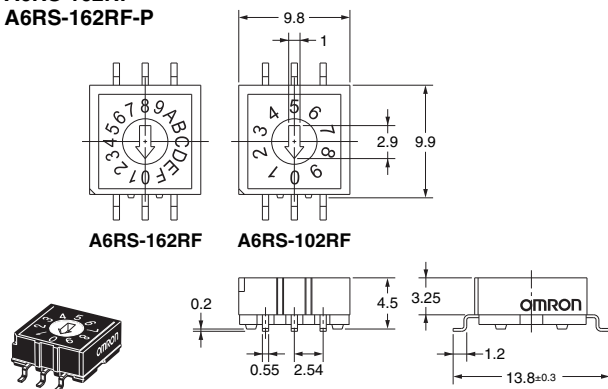
Top-actuated Extended-shaft Models with 4x1 Terminal Arrangement

A6RS-101RS
A6RS-101RS-P
A6RS-161RS
A6RS-161RS-P



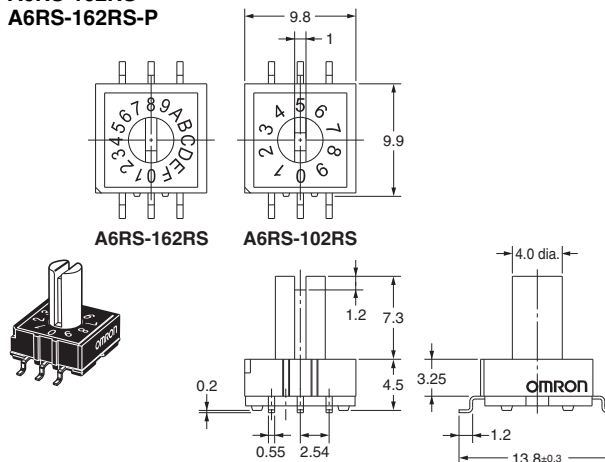
Top-actuated Flat Models with 3x3 Terminal Arrangement

A6RS-102RF
A6RS-102RF-P
A6RS-162RF
A6RS-162RF-P



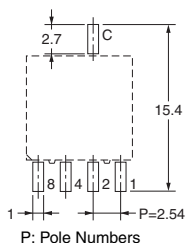
Top-actuated Extended-shaft Models with 3x3 Terminal Arrangement

A6RS-102RS
A6RS-102RS-P
A6RS-162RS
A6RS-162RS-P

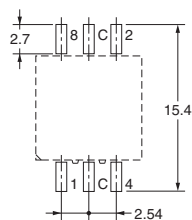


Mounting pads (Top view)

4x1 Terminal

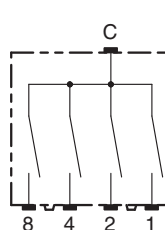


3x3 Terminal

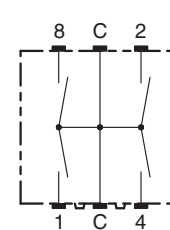


Internal connections (Top view)

4x1 Terminal



3x3 Terminal





All sales are subject to Omron Electronic Components LLC standard terms and conditions of sale, which can be found at http://www.components.omron.com/components/web/webfiles.nsf/sales_terms.html

ALL DIMENSIONS SHOWN ARE IN MILLIMETERS.
To convert millimeters into inches, multiply by 0.03937. To convert grams into ounces, multiply by 0.03527.

OMRON[®]

**OMRON ELECTRONIC
COMPONENTS LLC**

55 E. Commerce Drive, Suite B
Schaumburg, IL 60173

847-882-2288

OMRON ON-LINE

Global - <http://www.omron.com>

USA - <http://www.components.omron.com>

Cat. No. X303-E-1

11/10

Specifications subject to change without notice

Printed in USA

Surface-mounting Rotary DIP **A6RS**