



BOURNS®

Features

- Single pole/double throw
- Compatible with most surface mount manufacturing processes
- 50 or 2000 cycle rotational life
- Compatible with popular vacuum pick-and-place equipment
- J-hook, gull-wing and through hole
- Meets EIA/EIAJ/IPC/VRCI SMD standard outline dimensions
- RoHS compliant* - see [processing information](#) on lead free surface mount components
- For switch applications/processing guidelines, [click here](#)

7814 SMD 4 mm Square Sealed Rotary Switch

Electrical Characteristics

Contact Rating
 Maximum Current 100 mA max.
 Maximum Voltage 16 V
 Contact Timing Non-shorting
 Contact Resistance 2 ohms max.
 Insulation Resistance
 100 megohms min.
 Dielectric Strength 250 VAC

General Characteristics

Switch Type SPDT
 Operating Temp. Range
 -55 °C to +125 °C
 Storage Temp. Range.. -55 °C to +125 °C
 Seal Test 85 °C Fluorinert†

Mechanical Characteristics

Positions 2
 Adjustment Torque 1.8 N-cm max.
 Stop Strength 2.5 N-cm min.
 Pushover Strength (Z Style)
 2 kilograms minimum
 Weight Approximately 0.2 gm.
 Marking Manufacturer's trademark, life code and date code

Environmental Characteristics

Vibration 20 G
 Shock 100 G
 Thermal Shock (5 cycles)
 -55 °C to +125 °C

Humidity

Insulation Resistance
 10 megohms min.

Rotational Life

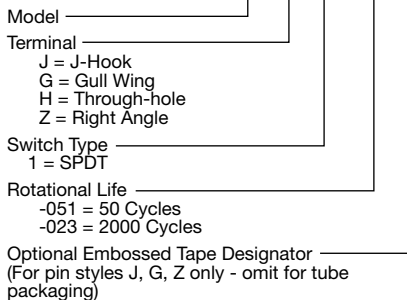
-051 50 Cycles
 -023 2000 Cycles

Packaging Options

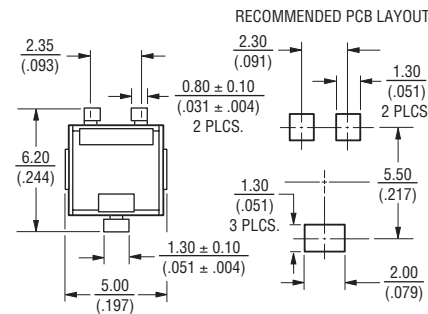
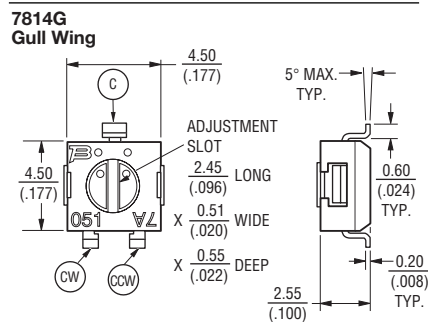
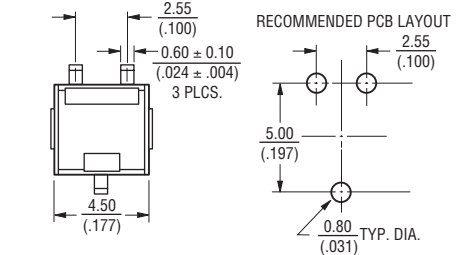
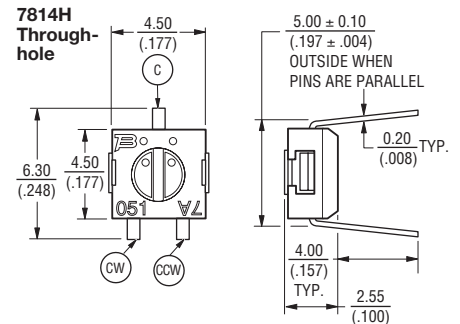
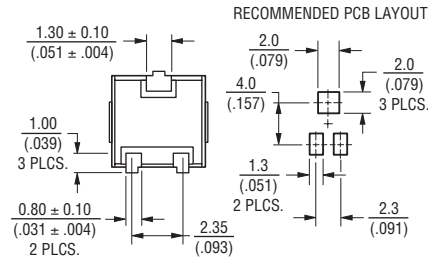
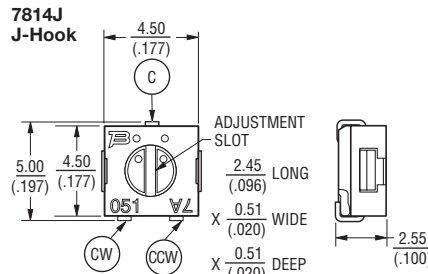
J & G 500 pcs.
 Z 200 pcs.
 H 100 pcs./tube

How to Order

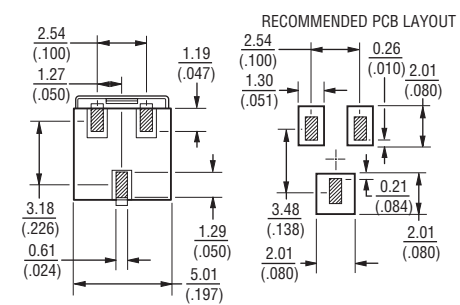
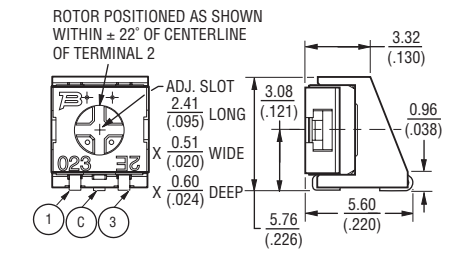
7814 J - 1 - 051 E



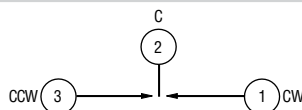
Product Dimensions



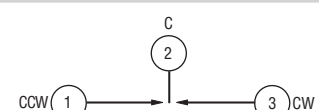
7814Z Right Angle



Circuit Diagram - 7814J, G, H



Circuit Diagram - 7814Z



DIMENSIONS: $\frac{\text{MM}}{\text{(INCHES)}}$
 TOLERANCES: ±2 EXCEPT WHERE NOTED.

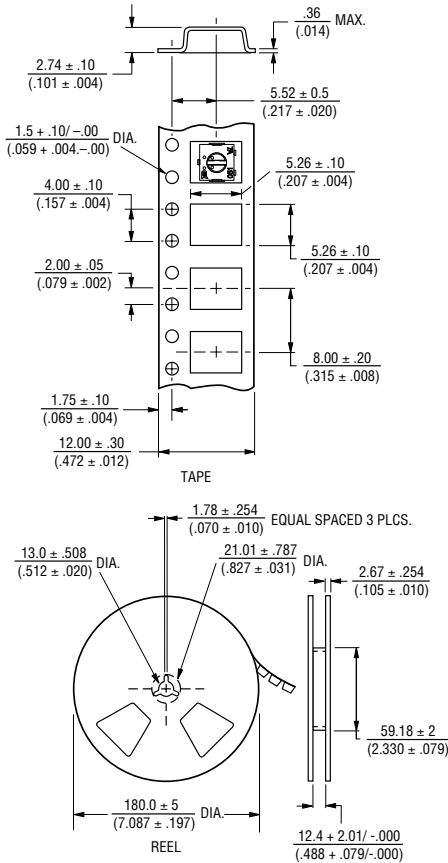
*RoHS Directive 2002/95/EC Jan 27 2003 including Annex.
 †"Fluorinert" is a registered trademark of 3M Co.
 Specifications are subject to change without notice.
 Customers should verify actual device performance in their specific applications.

7814 SMD 4 mm Square Sealed Rotary Switch

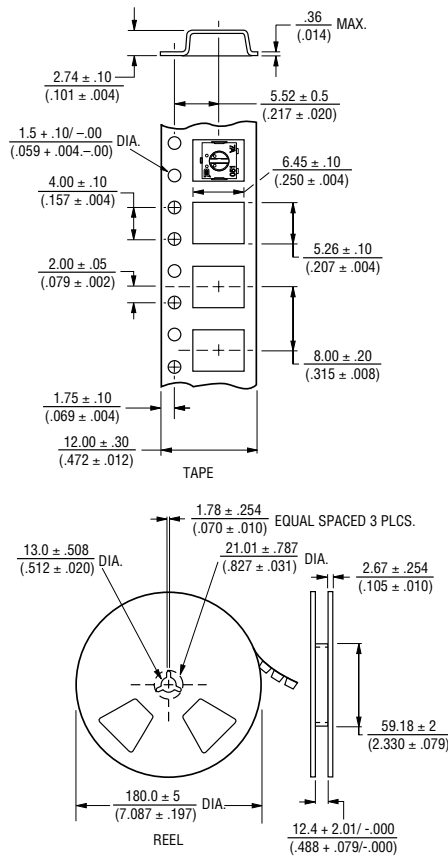
BOURNS®

Packaging Specifications

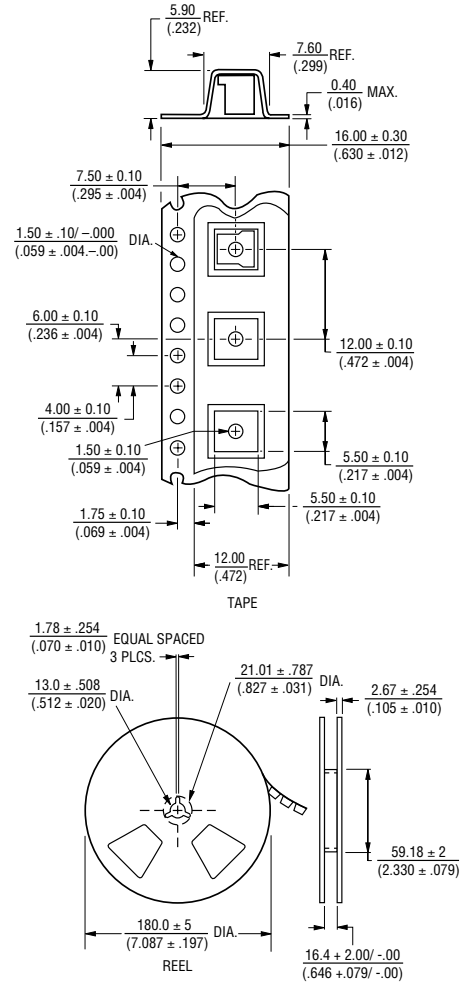
(J Style)



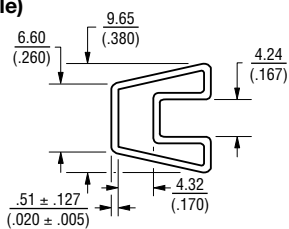
(G Style)



(Z Style)



(H Style)



DIMENSIONS: $\frac{\text{MM}}{\text{(INCHES)}}$

REV. 08/10

Specifications are subject to change without notice.
Customers should verify actual device performance in their specific applications.