

D6 SPST Momentary Key Switches



Features/Benefits

- Easy X, Y coding on single side PCB
- Positive tactile feedback
- High temperature type available
- Wide variety of colors & styles

Typical Applications

- Automotive
- Video
- Electronic games
- Appliances

Construction

FUNCTION: momentary
 CONTACT ARRANGEMENT: 1 make contact (SPST), NO
 DISTANCE BETWEEN BUTTON CENTERS, MIN.: 12,7 (0.500)
 TERMINALS: PC pins

Electrical

SWITCHING POWER MAX.: 6 VA
 SWITCHING VOLTAGE MAX.: 100 V DC
 SWITCHING CURRENT MAX.: 100 mA DC
 DIELECTRIC STRENGTH (50 Hz / 1 min): 1000 V
 OPERATING LIFE with max. switching power: $\geq 2.5 \times 10^5$ operations
 CONTACT RESISTANCE: $\leq 100 \text{ m}\Omega$
 INSULATION RESISTANCE: $\geq 10^{11} \Omega$
 BOUNCE TIME: $\leq 3 \text{ ms}$

Mechanical

SWITCHING TRAVEL: $0,8 \pm 0,2$ (0.0301 ± 0.0078)
 OPERATING FORCE: $1.3 \text{ N} \pm 30\%$ (130 grams $\pm 30\%$)

Environmental

OPERATING TEMPERATURE: -20°C to 85°C .

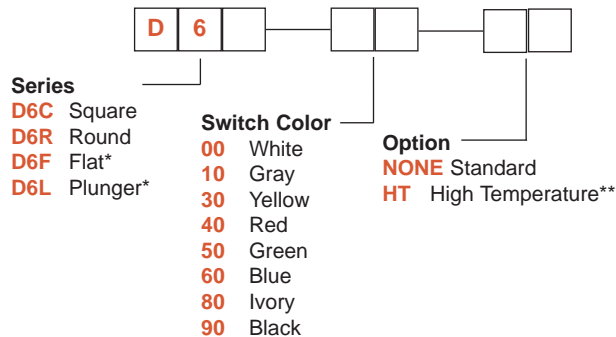
Process

SOLDERABILITY:
 Hand soldering: 350°C for 3 seconds
 Wave or bath soldering: 225°C for 5 seconds
 High Temperature version: 260°C for 5 seconds**
 Cleaning: Use solvents compatible with ABS

How To Order

Our easy build-a-switch concept allows you to mix and match options to create the switch you need. To order, select desired option from each category and place it in the appropriate box.

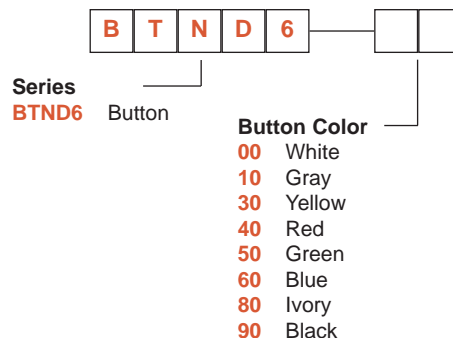
Switch



*Available in black only.

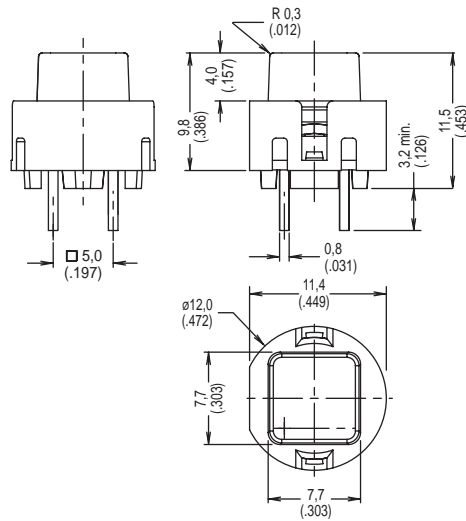
** Only available in red, blue and black

Buttons can be ordered separately. Shipped in bulk.

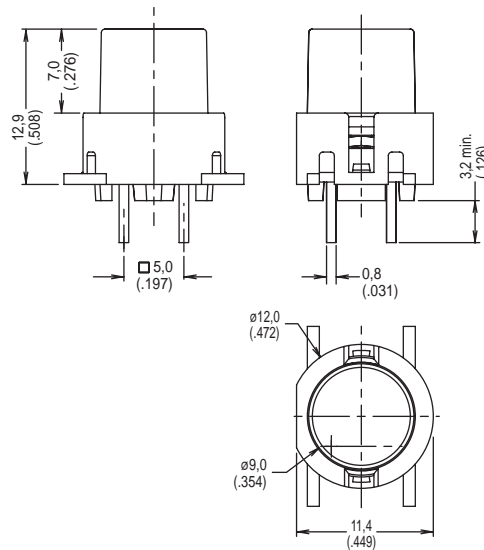


SERIES

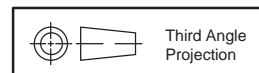
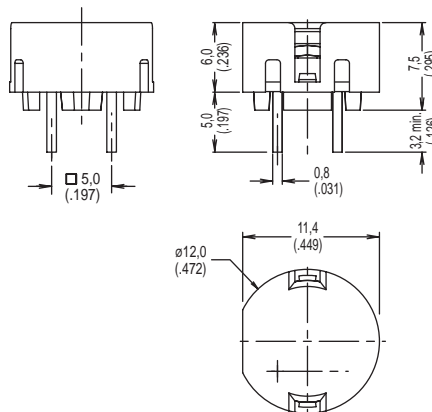
D6C



D6R



D6F Only available in black



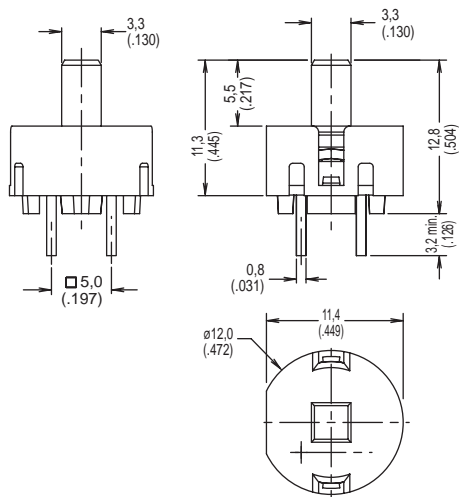
Dimensions shown in: mm (inch)
Dimensions subject to change



D6 SPST Momentary Key Switches

SERIES

D6L Only available in black



SWITCH COLORS

OPTION CODE	SWITCH COLOR
00	WHITE
10	GRAY
30	YELLOW
40	RED
50	GREEN
60	BLUE
80	IVORY
90	BLACK

OPTION

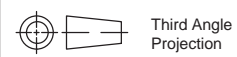
NONE STANDARD

HT HIGH TEMPERATURE



D

Key Switches

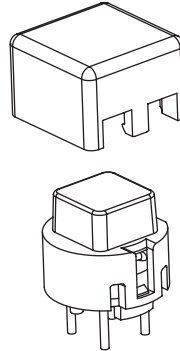
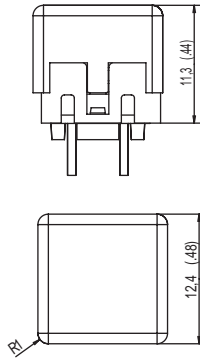


Dimensions shown in: mm (inch)
Dimensions subject to change

SPST Momentary Key Switches

BUTTON AVAILABLE

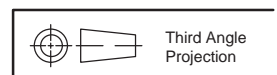
BTND6 Buttons must be ordered separately. Shipped in bulk.



OPTION CODE	BUTTON COLOR
00	WHITE
10	GRAY
30	YELLOW
40	RED
50	GREEN
60	BLUE
80	IVORY
90	BLACK



Key Switches



Third Angle Projection

Dimensions shown in: mm (inch)
Dimensions subject to change