

# 1JS



MEC's exclusive snap-on keycap in 10.4 mm height! Optimized for use with foil overlays!

The 1JS keycaps are available in nine standard colours: 00 blue/02 green/03 grey/04 yellow/06 white/08 red/09 black/11 transparent/16 frosted white.

In combination with the switch the 1JS becomes the lowest illuminated keycap possible; especially designed for foil overlays and featuring soft edges for extended foil overlay lifetime. The 1JS 11/16 has superior illumination potential when combined with the newest Multimec 5G switch. Illumination can be either surface mount or through-hole. Cap retention is optimized with an innovative "snap-on" system.



Distributor:

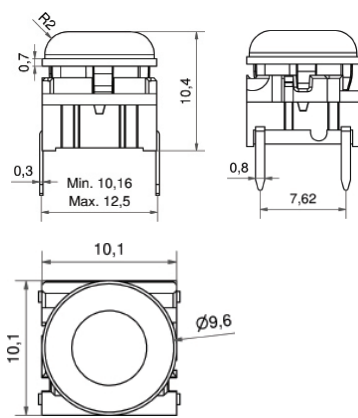
[www.mec.dk](http://www.mec.dk)

### Technical Data:

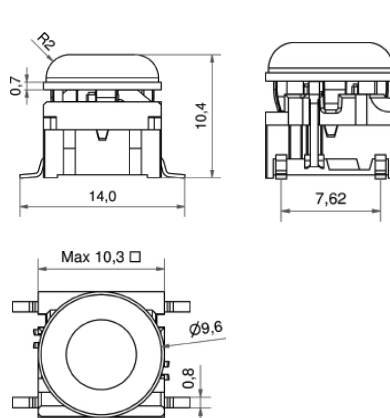
- through-hole or SMD
- 50mA/24VDC
- single pole/momentary
- 10.000.000 operations life time
- IP67 sealing
- temperature range:  
std. temp:-40/+115°C  
high temp:-40/+160°C  
keycap: -40/+85°C



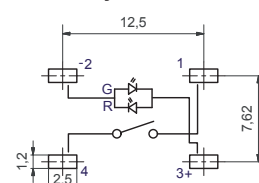
### 5GT + 1JS



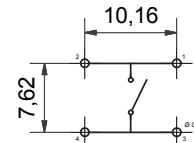
### 5GSxx + 1JS



### PCB Layout 5GSxx



### PCB Layout 5GT



### HOW TO ORDER

**5 G**

Switch



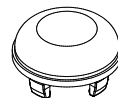
**Mounting**  
T through-hole  
S surface mount



**H9 high temp.**

**1 J S 0 9 6**

**Cap white**



### Switch to be used: 5G

**5 G**



**Mounting**  
TH9 through-hole  
SH9 surface mount



**Actuation force**  
20  
35  
65



**LED**  
01 blue  
22 green  
42 yellow  
61 white  
82 red  
2242 green/yellow  
8222 red/green



**Cap**  
1JS solid colour



**Colour code**  
00 blue  
02 green  
03 grey  
04 yellow  
06 white  
08 red  
09 black

Dimensions (mm) Unless otherwise specified, all tolerances +/- 0,2

**Ordering example:** 5GTH935+1JS08

See colour codes on our website: [www.mec.dk](http://www.mec.dk)

For updates of products and/or changes of specifications please see [www.mec.dk](http://www.mec.dk)

**MEC A/S** Industriparken 23 • DK-2750 Ballerup • Denmark

Phone: +45 44 97 33 66 • Fax: +45 44 68 15 14 • E-mail: [danmec@mec.dk](mailto:danmec@mec.dk) • [www.mec.dk](http://www.mec.dk).