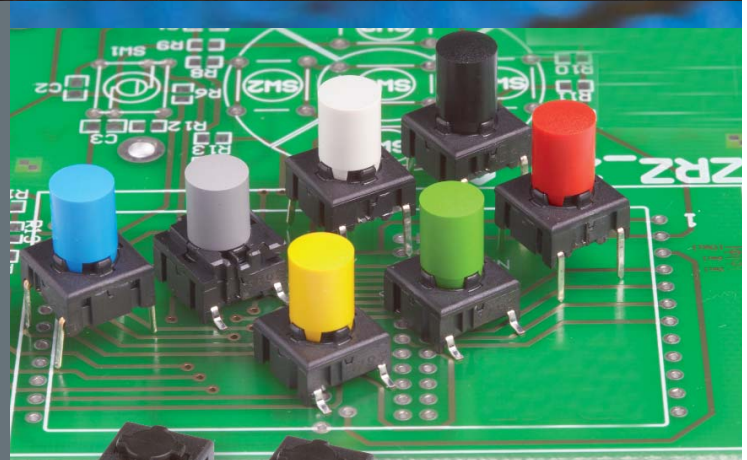




The new caps for the Multimec switches 1SS / 1LS / 1IS is optimized with a "snap on" system to ensure the cap to stay on the switch actuator even under heavy vibrations or similar scenarios.

- The 1SS cap is a solid cap which can be supplied in different colours
- The 1LS cap is a solid cap like 1SS, but with a small round lens for intensive or smooth illumination
- The 1IS cap is a transparent or milk white cap like 1SS, for intensive or smooth illumination



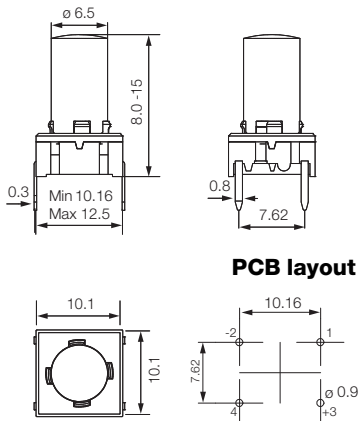
Distributor:

Technical Data

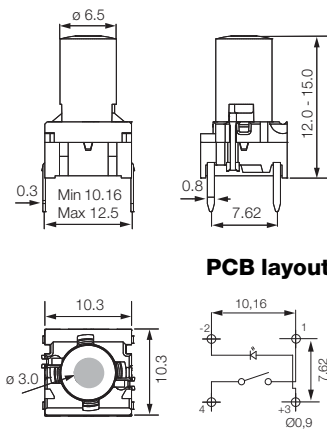
- through-hole or SMD
- 50mA/24VDC
- single pole/momentary
- 10.000.000 operations life time
- IP67 sealing
- temperature range:
LED: -40/+85°C
solid cap +65°C
transparent +85°C
- actuation force: 2.0, 3.5, 6.5 N



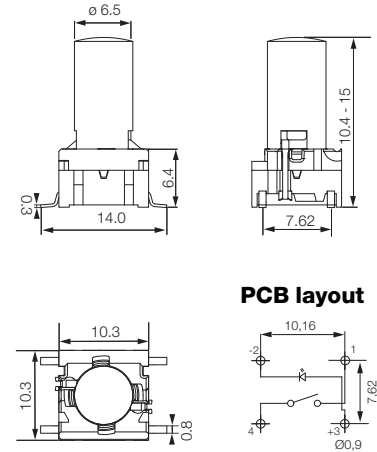
Dimensions (through-hole) 1SS





Dimensions (w. LED) 1LS




Dimensions (SMD) 1IS



HOW TO ORDER

5 G	<input type="checkbox"/>	<input type="checkbox"/>	<input type="checkbox"/>	<input type="checkbox"/>	<input type="checkbox"/>	<input type="checkbox"/>	<input type="checkbox"/>
Switch	Mounting	Actuation force	LED	Cap	Colour code	Lens	Height/1IS
	TH9 through-hole	20	01 blue	1IS transparent	00 blue	1 transparent	10.4
	SH9 surface mount	35	22 green		03 grey	6 frosted white	11.0
		65	42 yellow	1LS with lens	08 red	2 green	12.0
			61 white		09 black	4 yellow	15.0
			82 red		11 transparent	8 red	
			2242 green/yellow		16 frosted white		Height/1LS
			8222 red/green				12.0
							15.0

Switch to be used: 5E or 5G

5 E	<input type="checkbox"/>	<input type="checkbox"/>	<input type="checkbox"/>	<input type="checkbox"/>	<input type="checkbox"/>	<input type="checkbox"/>
5 G	Mounting	Actuation force	Cap	Colour code	Height	
	TH9 through-hole	20	1SS solid colour	00 blue	08.0	
	SH9 surface mount	35		02 green	09.5	
		65		03 grey	10.4	
				04 yellow	11.0	
				06 white	12.0	
				08 red	15.0	
				09 black		
				39 black (high temperature)		

Dimensions (mm) Unless otherwise specified, all tolerances ±0,2

Ordering example: 5GTH93501+1LS03115.0

See colour codes on our website: www.mec.dk

mec Industriparken 23 · DK-2750 Ballerup · Denmark

Tel.: +45 44 97 33 66 · Fax: +45 44 68 15 14 · E-mail: danmec@mec.dk · www.mec.dk.