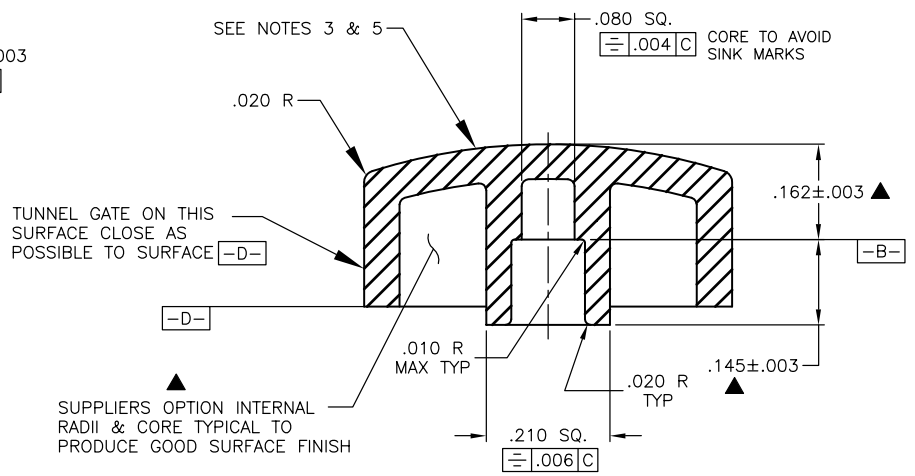
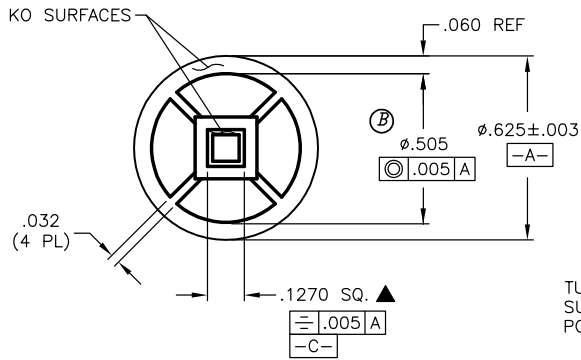
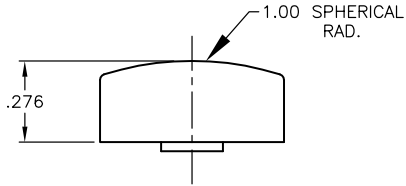


SHEET OF



CROSS SECTION
SCALE 4:1

- NOTES:
1. ALL DIMENSIONS IN INCHES
 2. MATERIAL: ABS
 3. SURFACE FINISH: FINE EDM MACHINE FINISH
 4. COLOR: WHITE
 5. EXTERNAL SURFACES TO BE FREE OF SINK MARKS & BLEMISHES
 6. DESIGNATE MAJOR FEATURE:
 7. UNLESS OTHERWISE SPECIFIED TOLERANCE TO BE $\pm .005$

REV.	ECN No.	DESCRIPTION	DATE	CHKD
C	13473	MATERIAL & COLOR NOTES 2, 4	9/18/03	AR
B	11567	REVISED DIMENSION	2/12/02	CB

THE INFORMATION CONTAINED IN THIS DOCUMENT IS PROPRIETARY TO E-SWITCH AND IS NOT TO BE COPIED OR TRANSFERRED

E-SWITCH®				
TITLE 320.09 CAP WHT CAP TO FIT 320.02				
SCALE	DATE	DR	DWG	REV
1:1	7/13/01	CB	B099466	C