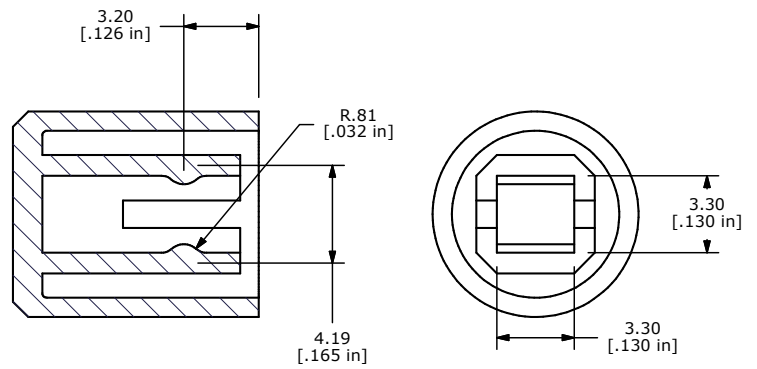
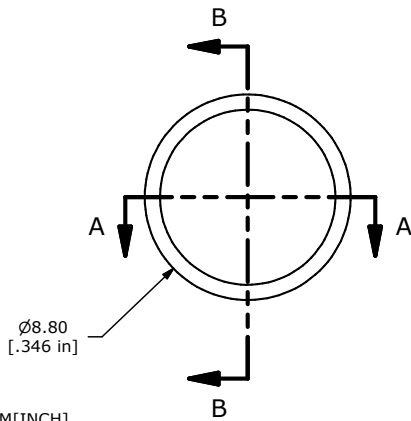
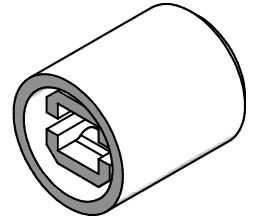


SECTION A-A
SCALE 4 : 1



SECTION B-B
SCALE 4 : 1

NOTES:

1. ALL DIMENSIONS IN MM[INCH]
2. GENERAL TOLERANCE: X.XX=± 0.15
- ▲3. MATERIAL: ABS UL94HB
- ▲4. COLOR: WHITE
5. ▲ DENOTES CRITICAL PARAMETER
6. 2002/95/EC (ROHS) COMPLIANT



| | | | | |
|-----|--------|------------------------------|---------|----|
| B | 17594 | CHANGED DETENT RIB PLACEMENT | 8/27/07 | BF |
| A | 16295 | RELEASED FOR PRODUCTION | 8/9/06 | BO |
| REV | PCR NO | DESCRIPTION | DATE | BY |

THE INFORMATION CONTAINED IN THIS DOCUMENT IS PROPRIETARY TO E-SWITCH AND IS NOT TO BE COPIED OR TRANSFERRED

| | | | | |
|--------------|----------------|-------|-------------|-------|
| TITLE TAGWHT | | | | |
| SCALE 4:1 | DATE 8/27/2007 | DR BF | DWG T041602 | REV B |