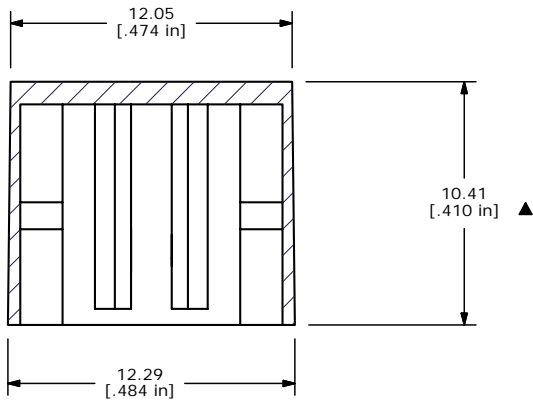
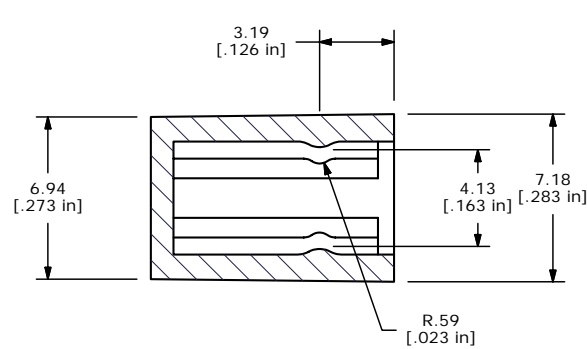
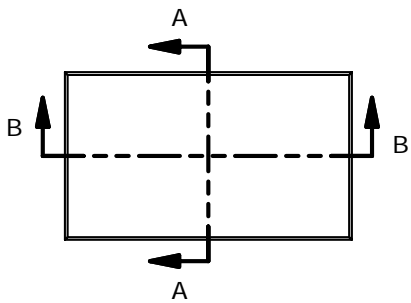
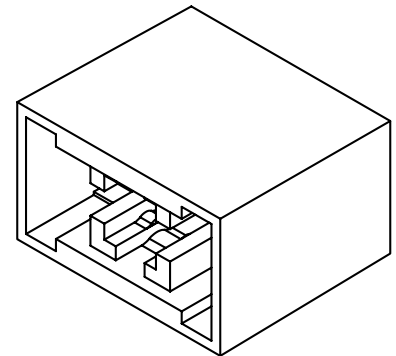


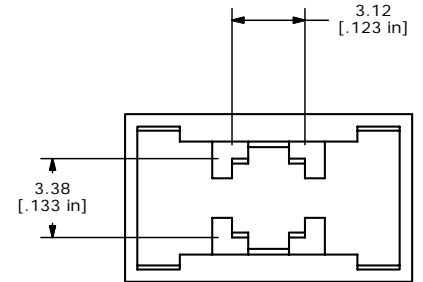
SHEET 1 OF 1



SECTION B-B
SCALE 4 : 1



SECTION A-A
SCALE 4 : 1



NOTES:

1. ALL DIMENSIONS IN MM
2. GENERAL TOLERANCE: X.XX±0.15
- ▲3. MATERIAL: ABS UL94HB
- ▲4. COLOR: GRAY, PANTONE 423C
5. ▲ DENOTES CRITICAL PARAMETER

E-SWITCH®

B	15490	PANTONE COLOR TO 423 FROM 430	11/2/05	PH
A	15172	NEW RELEASE	8/17/05	PV
REV	PCR NO	DESCRIPTION	DATE	BY

TITLE TADGRY				
SCALE 4:1	DATE 8/17/2005	DR PV	DWG T041633	REV B

THE INFORMATION CONTAINED IN THIS DOCUMENT IS PROPRIETARY TO E-SWITCH AND IS NOT TO BE COPIED OR TRANSFERRED