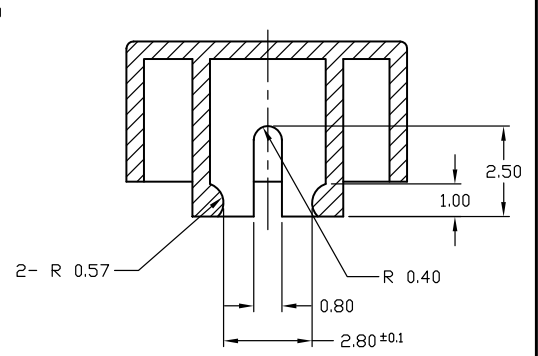
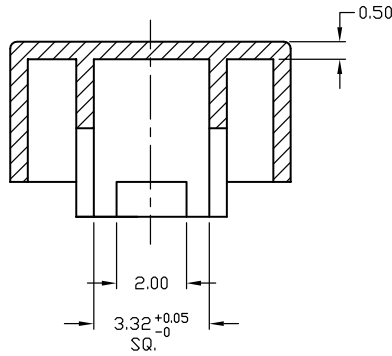
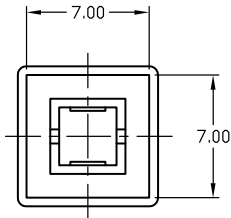
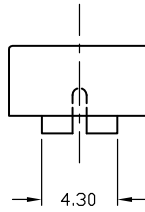
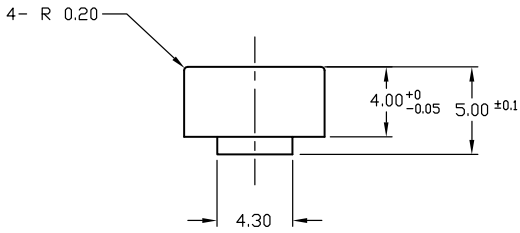
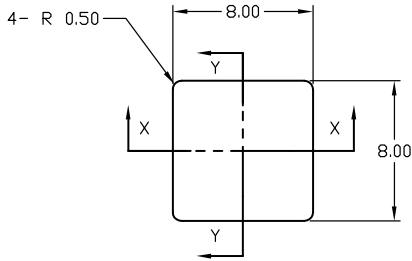


SHEET 1 OF 1



PART NO. SHOWN: 6J BUTTON BLACK

SECTION X-X DETAIL

SECTION Y-Y DETAIL

NOTES:

1. ALL DIMENSIONS IN MM
2. BUTTON COLOR: WHITE

E-SWITCH®

TITLE					6JWHT BUTTON				
SCALE	DATE	DR	DWG	REV					
3:1	9/5/03	AR	P001072	A					

REV.	ECN No.	DESCRIPTION	DATE	CHKD
A	13423	RELEASED FOR PRODUCTION	9/5/03	AR

THE INFORMATION CONTAINED IN THIS DOCUMENT IS PROPRIETARY TO E-SWITCH AND IS NOT TO BE COPIED OR TRANSFERRED