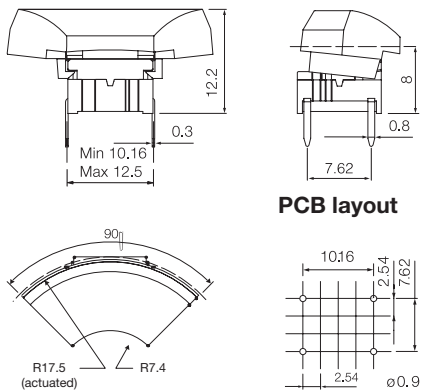


Technical Data

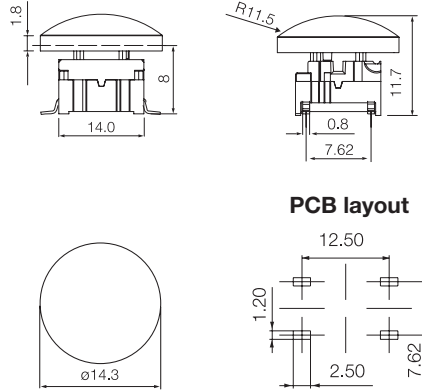
- through-hole or SMD
- 50mA/24VDC
- single pole/momentary
- 10.000.000 operations life time
- IP67 sealing
- temperature range:
 - low temp: -40/+115°C
 - high temp: -40/+160°C



Dimensions 1ZB (through-hole)

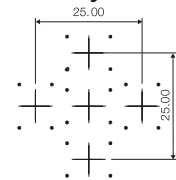


Dimensions 1ZC (SMD)

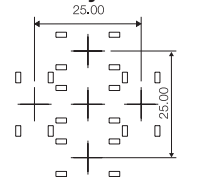


Recommended panel cut-out:
 ø35.0-35.5 Depending on application

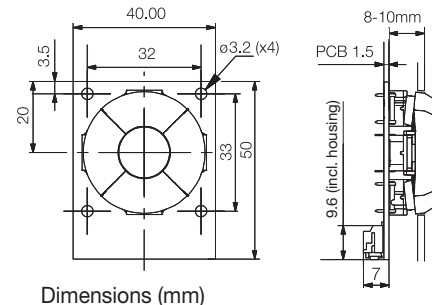
PCB layout TH



PCB layout SMD



Dimensions Navimec[™] Module

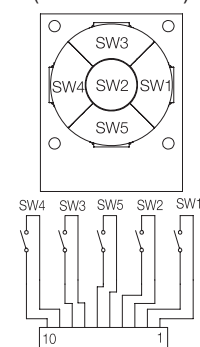


Dimensions (mm)

How to order

3 A	<input type="checkbox"/>	<input type="checkbox"/>	<input type="checkbox"/>	<input type="checkbox"/>	<input type="checkbox"/>
Switch	Mounting	L 6 low temp.	Cap 1ZB	03 grey	
	T through-hole	H 9 high temp.		06 white	
	S surface mount			09 black	
				30 ultra blue	
				40 dusty blue	
				42 aqua blue	
				50 metal dark blue	
				53 metal light grey	
				57 metal dark grey	
				58 metal bordeaux	
3 F	<input type="checkbox"/>	<input type="checkbox"/>	<input type="checkbox"/>	<input type="checkbox"/>	
Switch	Mounting	L 6 low temp.	Cap 1ZC		
	T through-hole	H 9 high temp.			
	S surface mount				

Circuit Diagram Navimec[™] Module (Front side View)



The plug on the Navimec[™] module is JST SMT S10B-PH-SM3-TB or similar.
 We recommend using
 Cable socket: JST PHR-10 or similar
 Contact: JST SPH-002T-PO.5S or similar.

Navimec[™] Module

Part No. 9508000 Navimec[™] Module excl. keycaps
Part No. 950XXYY Navimec[™] Module incl. keycaps
Part No. 9509XXXYYY Navimec[™] Module incl. keycaps with legends

The module can be delivered with keycaps (4 x 1ZB and 1 x 1ZC) in solid colours or black keycaps with white legends.
 For module incl. keycaps in solid colours (950XXYY) please indicate colour code for 1ZBXX and colour code for 1ZCYY.
 For module incl. keycaps with legends (9509XXXYYY) please indicate legends for 1ZBXXX and legends for 1ZCYYY. All Caps are black with white legends. Please see legends available on page 23.

Examples: Module with 5 switches (4x3ATL6+1x3FTL6) mounted with 4x1ZB30 ultra blue and 1x1ZC42 aqua blue = 9503042.
 Module with 5 switches (4x3ATL6+1x3FTL6) mounted with 4x1ZB09XD136 (legend arrow) and 1x1ZC09118 (legend OK) = 9509136118.

Ordering example: 4x3ATL6+1ZB53 and 1x3FTL6+1ZC58 or Navimec[™] Module 9505358

For updates of products and/or changes of specifications please see www.mec.dk