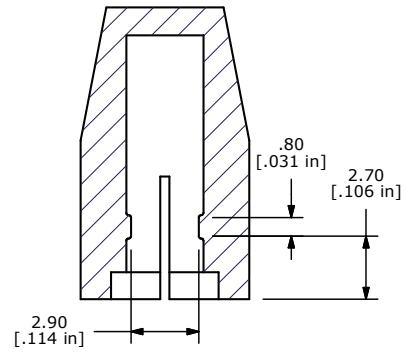
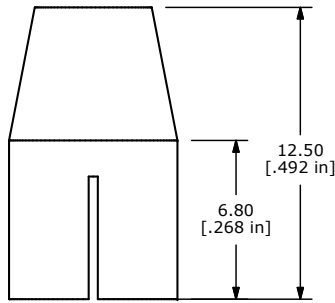


SECTION A-A
SCALE 4 : 1



SECTION B-B
SCALE 4 : 1

- NOTES:
1. ALL DIMENSIONS IN MM[INCH]
 2. GENERAL TOLERANCE: X.XX±0.15
 - ▲3. MATERIAL: ABS UL94HB
 - ▲4. COLOR: BLACK, PANTONE 3C
 5. ▲DENOTES CRITICAL PARAMATER
 6. 2002/95/EC (ROHS) COMPLIANT



B	17595	CHANGED DETENT RIBS POSITION	8/27/07	BF
A	15172	NEW RELEASE	8/17/05	PV
REV	PCR NO	DESCRIPTION	DATE	BY

TITLE TAMBLK				
SCALE 4:1	DATE 8/27/2007	DR BF	DWG T041641	REV B

THE INFORMATION CONTAINED IN THIS DOCUMENT IS PROPRIETARY TO E-SWITCH AND IS NOT TO BE COPIED OR TRANSFERRED