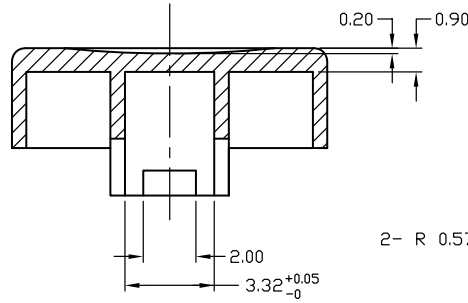
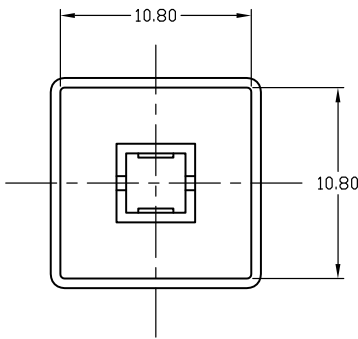
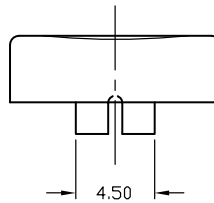
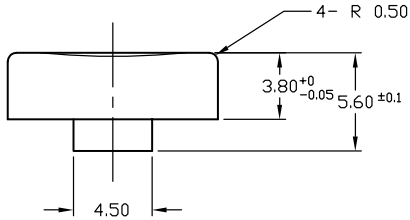
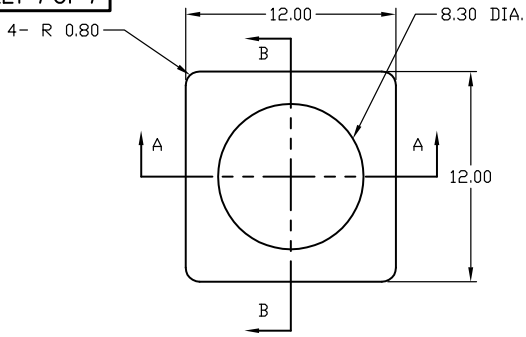
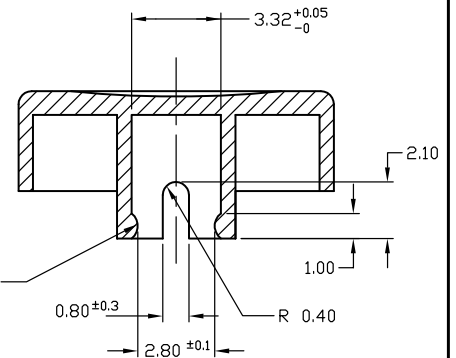


SHEET 1 OF 1



SECTION A-A DETAIL

Part Number Shown: 4J Button Black



SECTION B-B DETAIL

NOTES:

1. ALL DIMENSIONS IN MM
2. BUTTON MATERIAL: ABS LUCKY XR-401
3. BUTTON COLOR: BLACK

REV.	ECN No.	DESCRIPTION	DATE	CHKD
C	13423	REMOVE TABLE, UPDATE STANDARDS	9/4/03	AR
B		REVISED & REDRAWN		

THE INFORMATION CONTAINED IN THIS DOCUMENT IS PROPRIETARY TO E-SWITCH AND IS NOT TO BE COPIED OR TRANSFERRED

E-SWITCH®				
TITLE 4JBLK BUTTON				
SCALE	DATE	DR	DWG	REV
3:1	10/9/95	MM	P001050	C