

# KSA & KSL Series Sealed Tact Switch

## Features/Benefits

- Designed for automatic or manual insertion
- Cambered terminals to ensure self retention
- Top or side actuated
- Large choice of caps
- RoHS compliant and compatible

## Typical Applications

- Automotive
- Industrial
- Telecommunication networks



## Specification

CONTACT ARRANGEMENT: SPST, N.O.  
DOUBLE OVERMOLDING ON TERMINAL  
SEALING: IP60  
TERMINALS: PC pins, ground pin optional

## Mechanical

Type	Actuation force N	Operating life (operations)	Travel to make
KSA0M211	1 - 1,8	100,000	0,5 ± 0,2
KSA0M311	1 - 1,8	1,000,000	0,5 ± 0,2
KSA0M411	2,25 - 3,75	100,000	0,6 ± 0,2
KSA0M511	3,5 - 6,5	100,000	0,7 ± 0,2
KSA0M911	2,25 - 3,75	500,000	0,6 ± 0,2
KSL0M211	1 - 1,8	100,000	0,5 ± 0,2
KSL0M311	1 - 1,8	1,000,000	0,5 ± 0,2
KSL0M411	2,25 - 3,75	100,000	0,6 ± 0,2
KSL0M511	3,5 - 6,5	100,000	0,7 ± 0,2
KSL0M911	2,25 - 3,75	500,000	0,6 ± 0,2

**NOTE:** Other versions in terms of force, termination length and corrosion protection available. Please contact your sales representative.

This data sheet does not provide enough information for applications which require a certain level of quality or safety such as automotive, medical systems, safety equipment. Please contact your sales representative to get contractual specification package.

## Electrical

	Silver	Gold
MAXIMUM POWER:	1 VA	0.2 VA
MAXIMUM VOLTAGE:	32 VDC	32 VDC
MINIMUM VOLTAGE:	20 mV	20 mV
MAXIMUM CURRENT:	50 mA	10 mA
MINIMUM CURRENT:	1 mA	1 mA
DIELECTRIC STRENGTH: 300 Vrms		
CONTACT RESISTANCE: < 100m Ω		
INSULATION RESISTANCE (100 V): > 10 <sup>9</sup> Ω		
BOUNCE TIME: < 1 ms		

## Environmental

	Silver	Gold
OPERATING TEMPERATURE:	-40°C to 85°C	-40°C to 125°C
STORAGE TEMPERATURE:	-40°C to 85°C	-55°C to 125°C

## Process

Wave soldering compatible with lead free soldering profile.

## Packaging

Can be delivered in tubes of 65 pieces for automatic insertion or in boxes of 500 pieces for manual insertion (250 pieces for KSL, KSLV, KSAV).

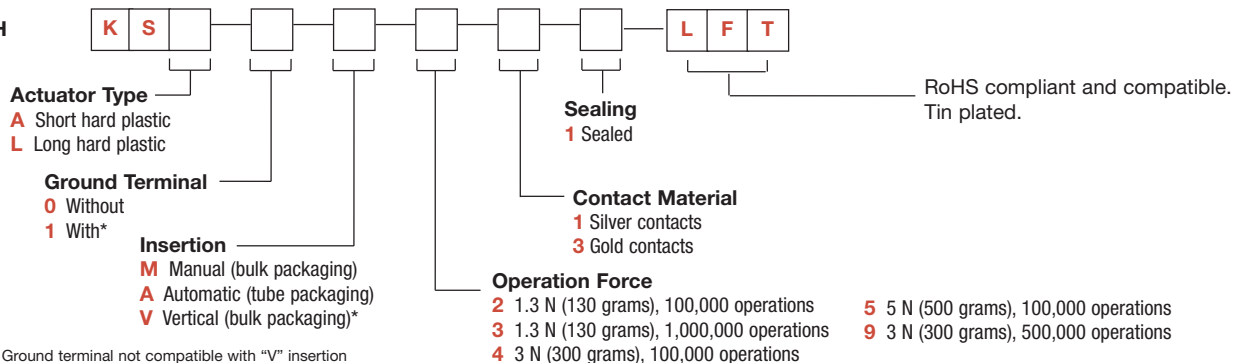
## How To Order

Our easy build-a-switch concept allows you to mix and match options to create the switch you need. To order, select desired option from each category and place it in the appropriate box.

**However, please note that all the combinations of these options are not feasible.**

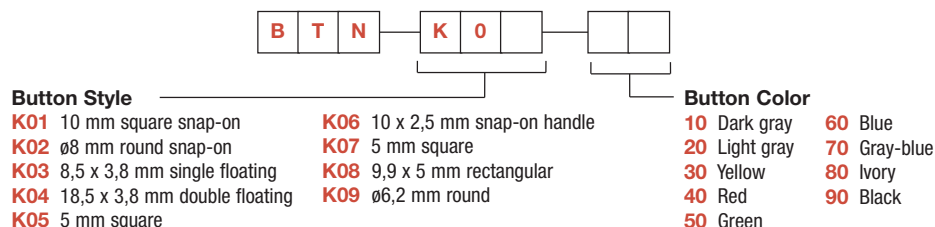
**For any part number different from those listed above, please consult your local representative.**

## SWITCH



\*Note: "1" Ground terminal not compatible with "V" insertion

**BUTTONS** Buttons must be ordered separately and will be supplied in bulk.



\*NOTE: Please note that all buttons are not RoHS compliant. Please check the compliance with your C&K sales representative.



Dimensions are shown: Inch (mm)  
Specifications and dimensions subject to change

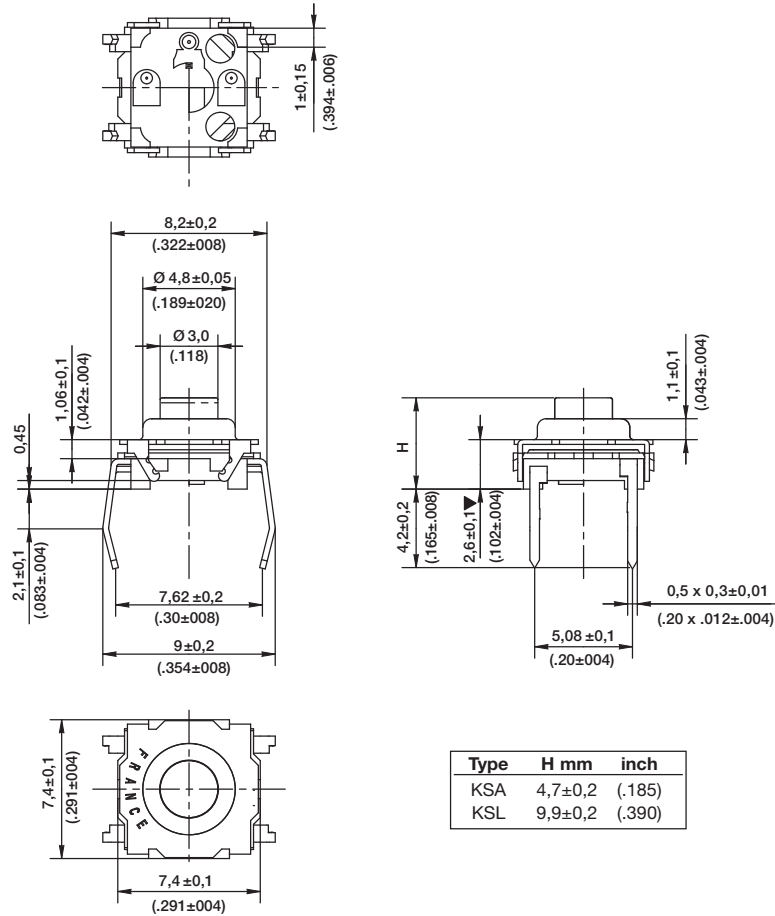
# KSA & KSL Series Sealed Tact Switch

ACTUATOR TYPE

KSA & KSL

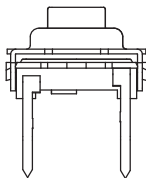
B

Tactile Switches

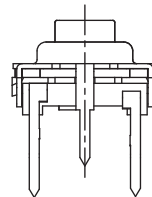


GROUND TERMINAL

0 WITHOUT



1\* WITH



\*Not compatible with "V" insertion



First Angle  
Projection

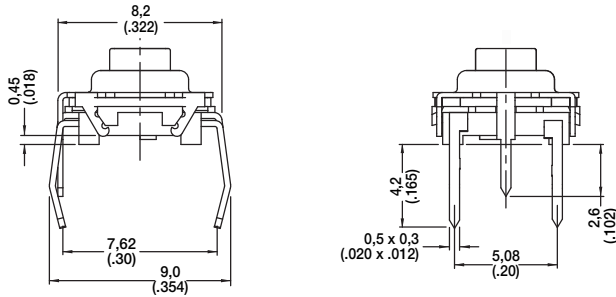
Dimensions are shown: Inch (mm)  
Specifications and dimensions subject to change



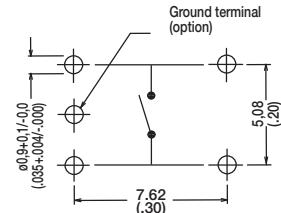
# KSA & KSL Series Sealed Tact Switch

## INSERTION

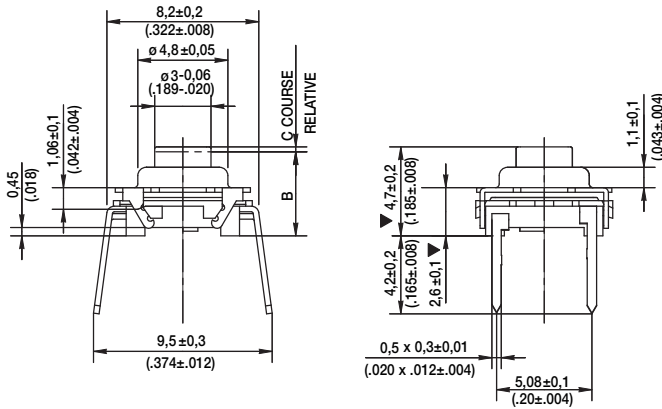
### M MANUAL (BULK PACKAGING)



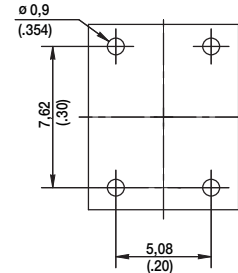
### PCB LAYOUT



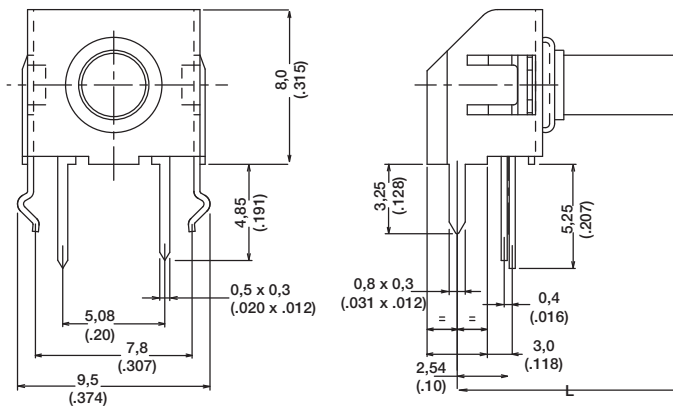
### A AUTOMATIC (TUBE PACKAGING, 65 PIECES PER TUBE)



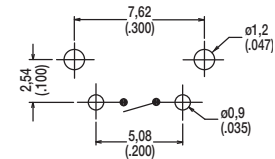
### PCB LAYOUT



### V VERTICAL



### PCB LAYOUT



### DIMENSION L

Type	L mm	inch
KSAOV	5,8	.228
KSLOV	11,1	.437

## OPERATING FORCE

OPTION CODE	OPERATING FORCE
<b>2</b>	1.3 N (130 grams) 100,000 operations
<b>3</b>	1.3 N (130 grams) 1,000,000 operations
<b>4</b>	3.0 N (300 grams) 100,000 operations
<b>5</b>	5.0 N (500 grams) 100,000 operations
<b>9</b>	3.0 N (300 grams) 500,000 operations



Dimensions are shown: Inch (mm)  
Specifications and dimensions subject to change



# KSA & KSL Series Sealed Tact Switch

## CONTACT MATERIAL



OPTION CODE	CONTACT MATERIAL
1	Silver contacts
3	Gold contacts

B

Tactile Switches

## SEALING



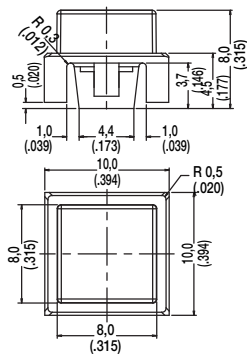
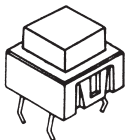
OPTION CODE	SEALING
1	Totally sealed - sealed IP64

## BUTTONS

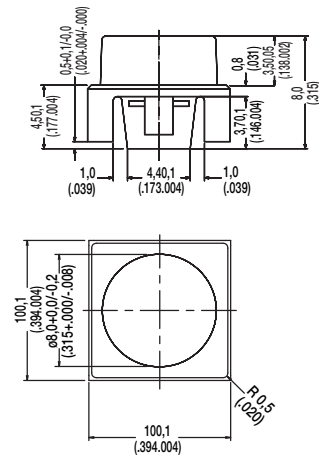
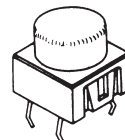
Buttons must be ordered separately and will be supplied in bulk.

BUTTON TYPE	KSA	KSL	KSAV	KSLV
K01	X			
K02	X			
K03	X	X	X	X
K04	X	X	X	X
K05		X		X
K06	X			
K07		X		X
K08		X		X
K09		X		X

K01



K02



First Angle  
Projection

Dimensions are shown: Inch (mm)  
Specifications and dimensions subject to change

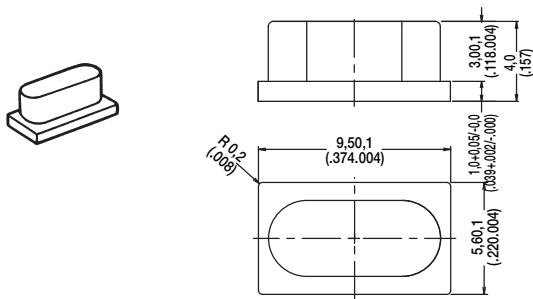
**C&K**

# KSA & KSL Series Sealed Tact Switch

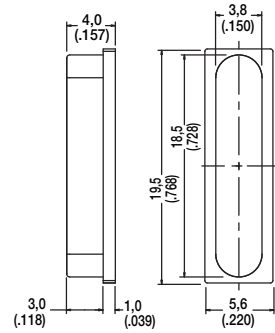


Tactile Switches

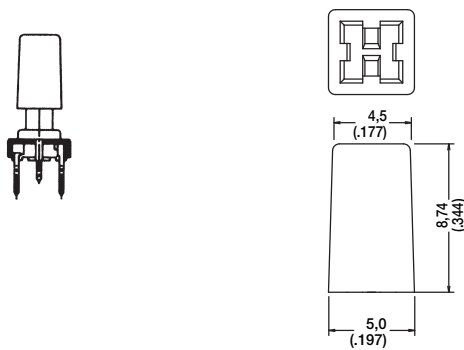
**K03**



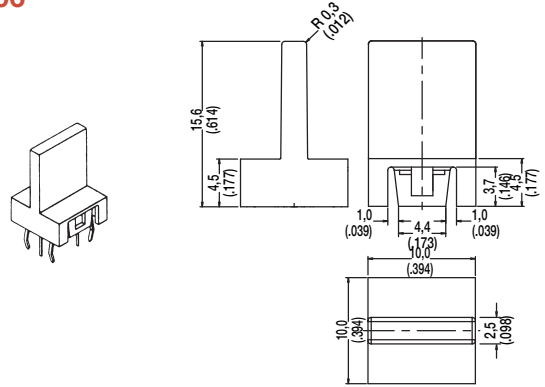
**K04**



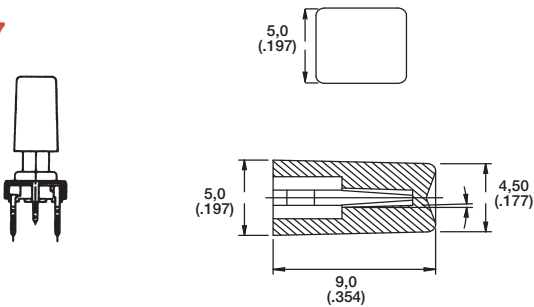
**K05**



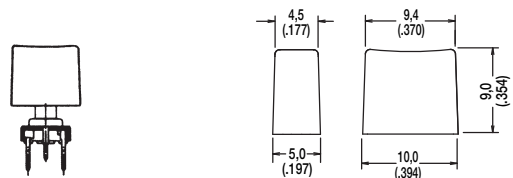
**K06**



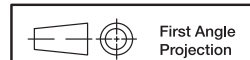
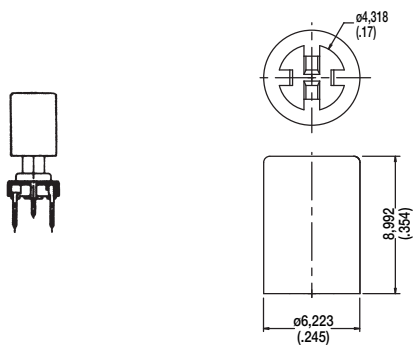
**K07**



**K08**



**K09**



Dimensions are shown: Inch (mm)  
Specifications and dimensions subject to change

