

4

3

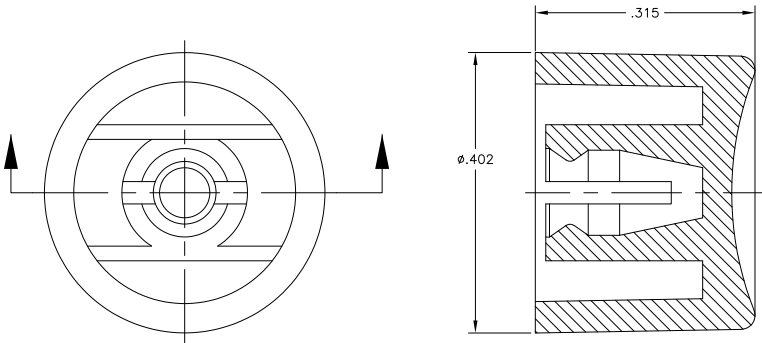
2

1

THIS DRAWING IS UNPUBLISHED. RELEASED FOR PUBLICATION  
 © COPYRIGHT - By - ALL RIGHTS RESERVED.

LOC	DIST	REVISIONS			
P	LTR	DESCRIPTION	DATE	BY	APPD
AD	00				
	A1	REVISED PER ECO-11-004820	11MAR11	RK	HMR

1. MATERIAL SHALL COMPLY WITH EU DIRECTIVE 2002/95/EC OF 20JAN2003 (ROHS)
2. CAP FOR USE WITH GREEN SERIES PUSHBUTTON SWITCHES AS SHOWN ON DRAWINGS 1805040 AND 1805041.



WHITE	C22904	1825068-7
BLUE	C22604	1825068-6
GREEN	C22504	1825068-5
YELLOW	C22404	1825068-4
ORANGE	C22304	1825068-3
RED	C22204	1825068-2
BLACK	C22004	1825068-1
COLOR	ALCO PART NUMBER	PART NUMBER

THIS DRAWING IS A CONTROLLED DOCUMENT.		DRN	M. BINNER	30NOV04	
		CHK	M. ZITTO	30NOV04	
		APPD	M. ZITTO	30NOV04	NAME
		POLYMER'S DIMENSIONS OTHER THAN AS SHOWN			CAP, GREEN SERIES, PUSHBUTTON, C22
DIMENSIONS: INCHES		0 PLG ± .010 1 PLG ± .010 2 PLG ± .010 3 PLG ± .003 4 PLG ± .010 ANGLES ± .1°			APPLICATION SPEC
MATERIAL: POLYAMIDE		FINISH: -			WEIGHT: -
		SIZE	CAGE CODE	DRAWING NO	RESTRICTED TO
		A2	00779	C=1825068	-
		CUSTOMER DRAWING			SCALE: 10:1 SHEET: 1 of 1 REV: A1