

4

3

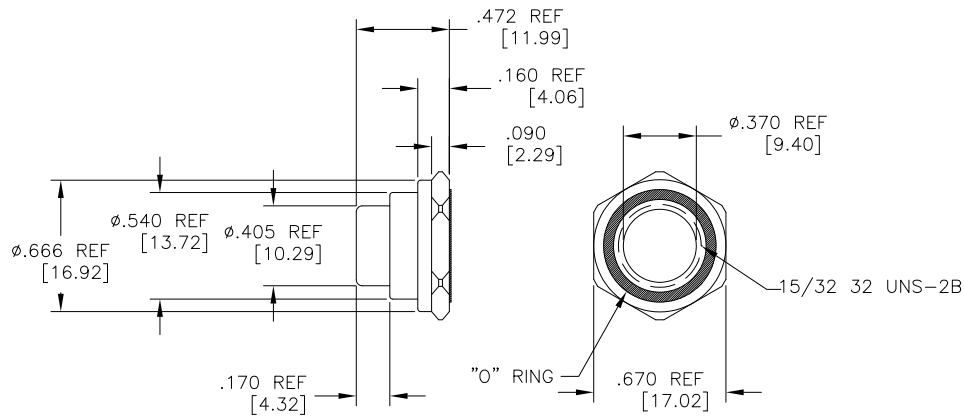
2

1

THIS DRAWING IS UNPUBLISHED. RELEASED FOR PUBLICATION
 © COPYRIGHT - BY TYCO ELECTRONICS CORPORATION. ALL RIGHTS RESERVED.

LOC	DIST	REVISIONS			
P	LTR	DESCRIPTION	DATE	DWN	APVD
AD	00	B	REVISED PER ECO-07-029259	28MAR08	HMR MW

- 1 SUPPLIED WITH "O" RING SEAL FOR SEALING TO PANEL
 2 BLACK ANODIZED MOUNT VERSION
 3 NICKEL PLATED MOUNT VERSION
 4 NEOPRENE BOOT



SUPERSEDE WITH 1825603-1	2	BP590004	1825608-2
OBSOLETE	3	BP589004	1825608-1
	FINISH	ALCO P/N	PART NUMBER

THIS DRAWING IS A CONTROLLED DOCUMENT.		DWN M. BINNER 14AUG2006	Tyco Electronics Corporation Harrisburg, PA 17105-3608	
DIMENSIONS: INCHES		CHK M. WILBOURN 15AUG06	NAME	
TOLERANCES UNLESS OTHERWISE SPECIFIED:		APVD M. WILBOURN 15AUG06	15/32-32 PUSHBUTTON BOOT SEAL	
0 PLC ± -		PRODUCT SPEC	RESTRICTED TO	
1 PLC ± -		APPLICATION SPEC	SIZE CAGE CODE DRAWING NO	
2 PLC ± -		WEIGHT	A3 00779 C-1825608	
3 PLC ± .005		CUSTOMER DRAWING	SCALE 2:1 SHEET 1 OF 1 REV B	
4 PLC ± -				
ANGLES ± -				
MATERIAL	FINISH			

AMP 1470-19 REV 31MAR2000