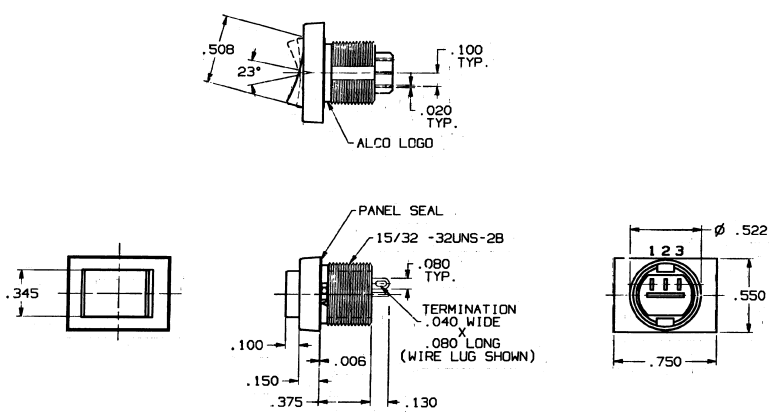


CONVERSION CHART	
INCH	MM
.006	0.15
.010	0.25
.020	0.51
.040	1.02
.060	2.03
.100	2.54
.130	3.30
.130 .120	3.30 3.05
.150	3.81
.160	4.10
.345	8.76
.375	9.53
.415	10.54
.410	10.41
.445	11.30
.440	11.18
.475	12.07
.470	11.94
.508	12.9
.522	13.25
.550	13.97
.750	19.05



**SPECIFICATIONS:**

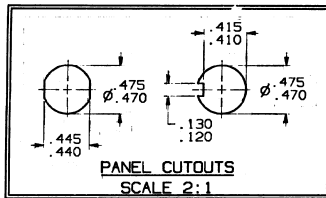
**MATERIAL:**  
CASE: POLYAMIDE.  
ACTUATOR: POLYAMIDE.  
MOVING CONTACT: COPPER ALLOY, GOLD 0.4A OVER NICKEL.  
FIXED CONTACT: COPPER ALLOY, GOLD 0.4A OVER NICKEL.  
TERMINALS: COPPER ALLOY, GOLD 0.4A OVER NICKEL.

**ELECTRICAL:**  
CONTACT RATING: GOLD: 0.4 VA MAX. @ 20 VDC OR PEAK AC.  
INITIAL CONTACT RESISTANCE: 20 MILLIOHMS MAX.  
INSULATION RESISTANCE: 1000 MEGOHMS MIN. @ 500 VDC.  
DIELECTRIC STRENGTH: 500 V RMS @ SEA LEVEL.  
LIFE EXPECTANCY: 100,000 CYCLES MIN. (2 POSITION).  
50,000 CYCLES MIN. (3 POSITION).

**ENVIRONMENTAL:**  
OPERATING TEMPERATURE: -4°F TO +176°F (-20°C TO +80°C).  
STORAGE TEMPERATURE: -49°F TO +199°F (-45°C TO 93°C).

**NOTES:**

1. INTERPRET DRAWING PER ASME Y14.5M-1994.
2. MOUNTING HARDWARE: (1) 5/8" HEX NUT AND (1) INTERNAL TOOTH LOCKWASHER SUPPLIED WITH SWITCH.



FUNCTION CHART		
TRD116-1-R-XX	(2-3)	OFF (2-1)
TRD11H-1-R-XX	2-3	OFF (2-1)
TRD11F-1-R-XX	2-3	NONE (2-1)
TRD11E-1-R-XX	2-3	OFF 2-1
TRD11D-1-R-XX	2-3	NONE 2-1

SWITCH ACTION

( ) - INDICATES A MOMENTARY CIRCUIT CLOSURE.  
TERMINALS CONNECTED WHEN TOGGLE IS IN POSITION SHOWN.  
NOTE: TERMINAL DESIGNATION NUMBERS ARE FOR REFERENCE ONLY, AND DO NOT APPEAR ON SWITCHES.

#	ROCKER COLORS
0	BLACK
2	RED
6	BLUE
8	WHITE

XX	TERMINATIONS
WL	WIRE LUG
DC	QUICK CONNECT
WW	WIRE WRAP
PC	PRINTED CIRCUIT

THIS IS A C.A.D. GENERATED DRAWING.  
DO NOT MAKE MANUAL REVISIONS TO MASTER.

**OUTLINE DRAWING**  
SPECIFICATIONS ARE SUBJECT TO CHANGES WITHOUT NOTICE

REV	DESCRIPTION
0	INITIAL RELEASE DATE: 07-09-97 BY: JCD APP: JCD

**TOLERANCES (EXCEPT AS NOTED)**  
ANGULAR = ± 3°  
DECIMAL .XX = ± .010  
DECIMAL .XXX = ± .010  
DECIMAL .XXXX = ± .005

**AUGAI CONFIDENTIAL**  
This document contains information which is the exclusive property of Augai Inc. Distribution, reproduction or use by others is not permitted without the expressed written consent of Augai Inc.

THIRD ANGLE PROJECTION	UNLESS OTHERWISE SPECIFIED DIMENSIONS ARE IN INCHES DO NOT SCALE PRINT	ORIGINAL DATE OF DRAWING: 7-09-97
FILE NAME: 403100T	DIRECTORY: ROKSWTCH	DRAWN: TRUDY
MATERIAL: SEE SPECIFICATIONS	CHECKED: DATE: 7-09-97	APPROVED: DATE:
FINISH: SEE SPECIFICATIONS	CODE IDENT. NO. 91506	DWG. SIZE C
	NEXT ASSY.	

**AUGAI INC.**  
150 JOHN DIETZBLD.  
ATLANTA, GA 30340

**TITLE: OUTLINE DRAWING  
ROCKER SWITCH  
(TRD SPOT SERIES)**

DWG. NO. 40313  
SCALE: 1 1/2" = 1"

REV. 0  
SHEET 1 OF 1