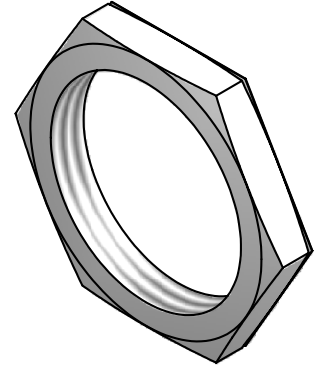
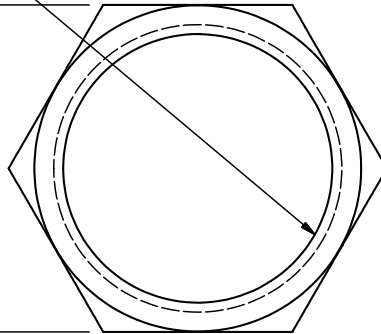


M12x0.75
THREAD

▲ 14.00
[.551 in]



1.98
[.078 in]

- NOTE:
1. ALL DIMENSIONS IN MM [INCH]
 2. GENERAL TOLERANCE: X.X=±0.4
X.XX=±0.25
 3. OPERATING TEMPERATURE: -30°C TO +85°C.
 4. ▲ DENOTES CRITICAL PARAMETER.
 5. 2002/95/EC (ROHS) COMPLIANT



TITLE RP8100 Hex Nut

A	17904	New Release	12/18/07	rc
REV	PCR NO	DESCRIPTION	DATE	BY

THE INFORMATION CONTAINED IN THIS DOCUMENT IS PROPRIETARY TO E-SWITCH AND IS NOT TO BE COPIED OR TRANSFERRED

SCALE	DATE	DR	DWG	REV
4=1	12/18/2007	rc	T081102	A